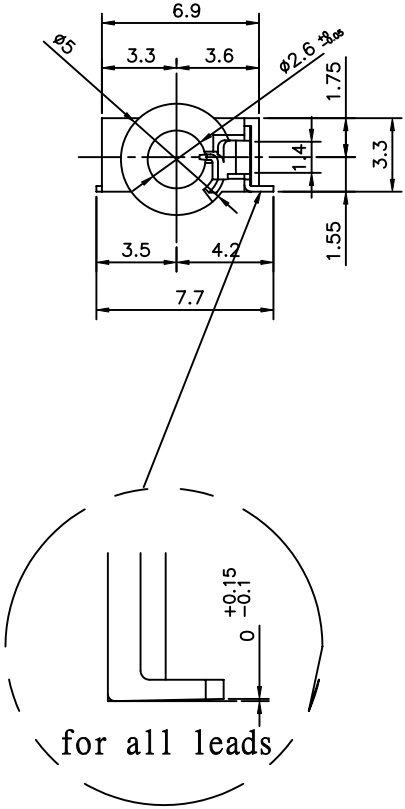


#	PART NAME	QTY	MATERIAL	PLATING	REMARKS
	BODY	1	NYLON	Ag	BLACK(UL94V-0)
2	MAIN TERMINAL A	1	*CTR-M 0.3t	Ag	(TIP CONTACT)
5	MAIN TERMINAL B	1	PBSR-H 0.2t	Ag	(RING CONTACT)
3	FIX TERMINAL A	1	BsR2-H 0.25t	Ag	
4	FIX TERMINAL B	1	BsR2-H 0.25t	Ag	
1	EARTH TERMINAL	1	PBSR-H 0.2t	Sn	(SLEEVE CONTACT)
6	ROOT SLEEVE T.		PBSR-H 0.2t	Ag	(ROOT SLEEVE C.)



**RoHS Compliant**

**MORETHANALL**  
PCB CONNECTORS  
Cable ASSEMBLIES  
煜倫股份有限公司  
www.morethanall.com

DRAWING BY CY  
CHECKED BY GENIUS  
UNIT / mm SCALE 1 : 1  
DATE  
SIZE A4 PPROJECTION

TOLERANCES ARE  
X. ±  
.X ±  
.XX ±  
.XXX ±  
ANG ±

**ORDER INFORMATION**

**EJ-W35U-06DZ-LF**

SERIES | LEADFREE  
6P4C  
POST 3+5mm  
90°SMT

DESCRIPTION: