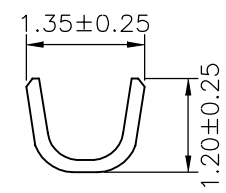
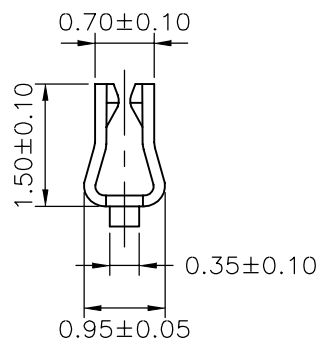


SEC:A-A



SEC:B-B



Ordering Information & Specifications

Part No	Wire Range	Insulation O.D.	Material	Finish	0
DF13-T-26	AWG#26-#30	1.00mm(max)	Phosphor Bronze	Tin-plated	10,000pcs



PART NO. **DF13-T-26**

DWG NO. **DF13-T-26**

FILE NO.

UNIT / mm

SCALE 1:1

CHECKED BY CY

DRAWING BY

PROJECTION

TOLERANCES ARE

.X ± 0.2  
.XX ±  
.XXX ±  
AWG

DESCRIPTION:

**1.25mm PITCH  
CRIMP TERMINAL**

AREA

REVISIONS

HK

DATE

煜倫股份有限公司