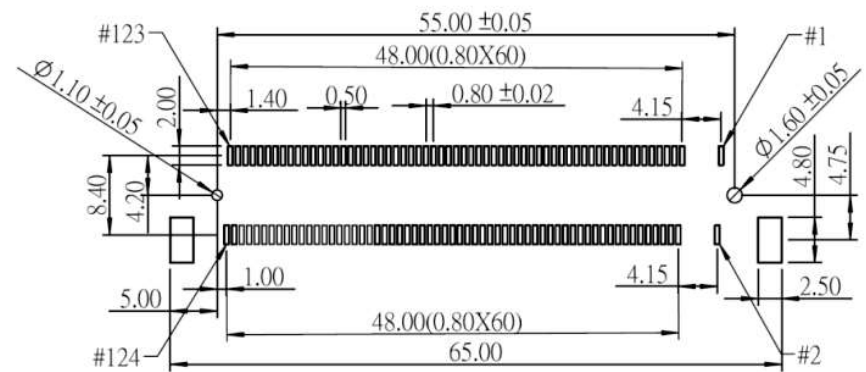


A-A (2.5 : 1)

NOTE:

- SOLDERTAIL TO BE WITHIN 0.05 UPWARD AND 0.2 DOWNWARD FROM Z-DATUM PLACE, AND COPLANALITY OF SOLDERTAILS TO BE WITHIN 0.12. MEASUREMENT POINT IS SOLDERTAILS TIP.
- INSPECTION SYMBOL:  
 ● : MANUFACTURER INSPECTION  
 ◆ : Q.C INSPECTION



PCB LAYOUT

**MORETHANALL**  
 PCB CONNECTORS  
 Cable ASSEMBLIES

煜倫股份有限公司

www.morethanall.com

RoHS Compliant

DRAWING BY CY  
 CHECKED BY GENIUS  
 UNIT / mm SCALE 1 : 1  
 DATE  
 SIZE A4 PPROJECTION

TOLERANCES ARE

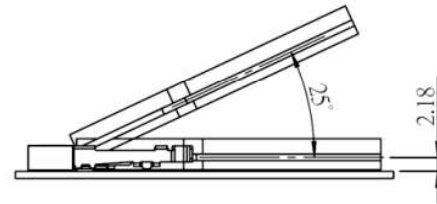
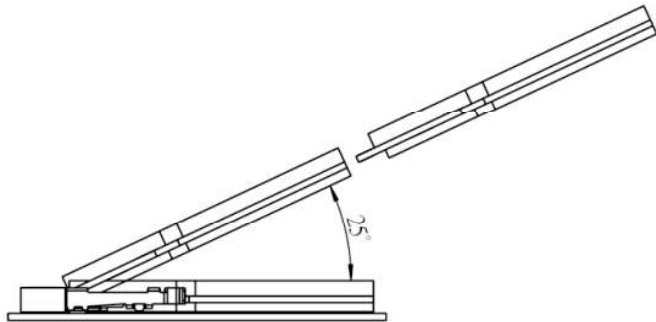
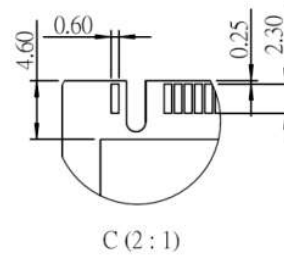
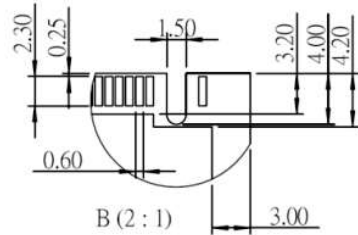
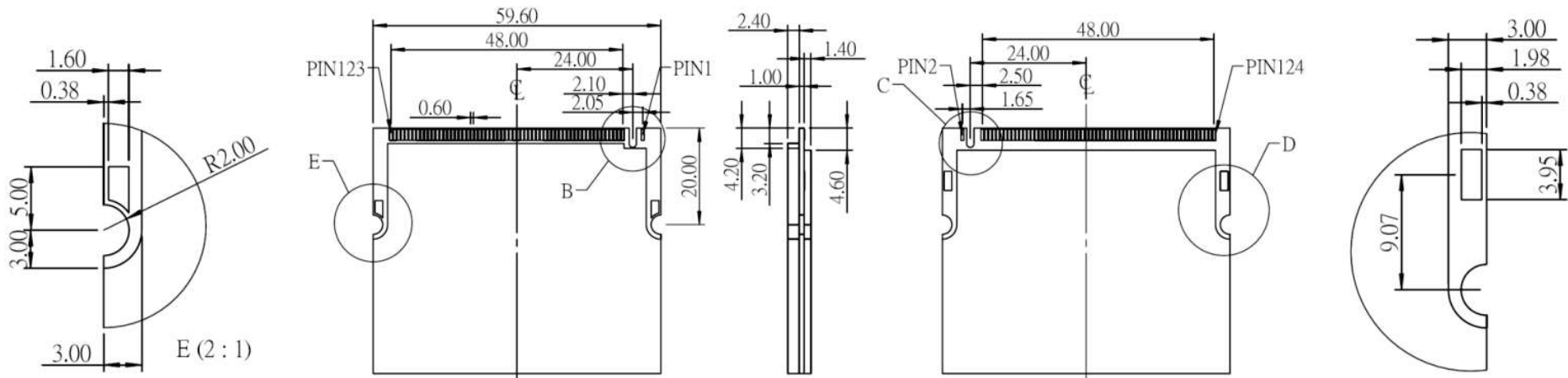
X. ±  
 .X ±  
 .XX ±  
 .XXX ±  
 ANG ±



ORDER INFORMATION

MPCI-Wxx-124-LF  
 SERIES LEADFREE  
 90°SMT 124WAY  
 40:4.0mm  
 52:5.2mm  
 56:5.6mm  
 60:6.0mm 92:9.2mm  
 80:8.0mm 99:9.9mm

DESCRIPTION:



RoHS Compliant

TOLERANCES ARE

**MORETHANALL**  
PCB CONNECTORS  
Cable ASSEMBLIES

DRAWING BY CY

CHECKED BY GENIUS

UNIT / mm

SCALE 1:1

DATE

SIZE A4

X, ±  
.X ±  
.XX ±  
.XXX ±  
ANG ±

PJECTION



ORDER INFORMATION

MPCI-Wxx-124-LF  
SERIES  
90°SMT  
LEADFREE  
124WAY  
40:4.0mm  
52:5.2mm  
56:5.6mm  
60:6.0mm  
80:8.0mm  
92:9.2mm  
99:9.9mm

煜倫股份有限公司

www.morethanall.com

DESCRIPTION: