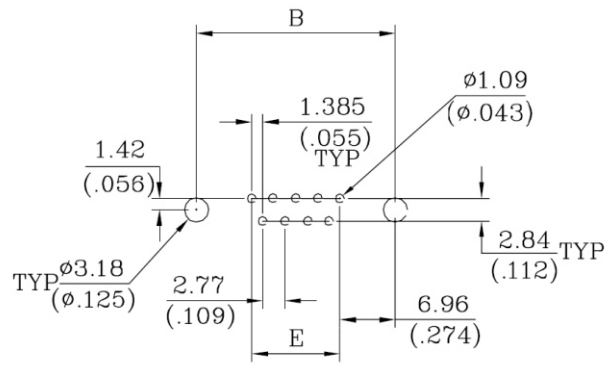
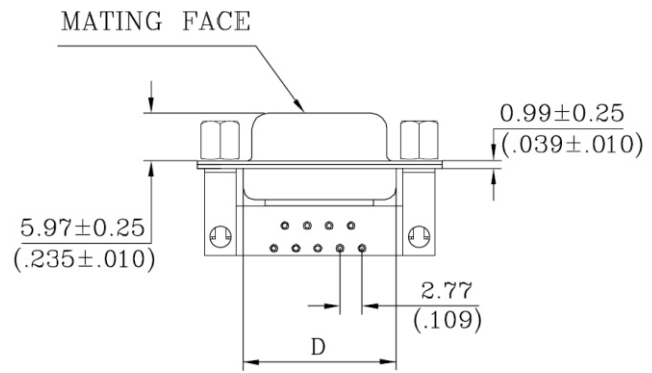


No. of Contact	A ±0.25 ±.010	B ±0.13 ±.005	C ±0.38 ±.015	D ±0.25 ±.010	E
09	16.33 .643	24.99 .984	30.81 1.213	19.28 .759	11.08 .436
15	24.66 .971	33.32 1.312	39.14 1.541	27.51 1.083	19.39 .763
25	38.38 1.511	47.04 1.852	53.04 2.088	41.28 1.625	33.24 1.310
37	54.84 2.159	63.50 2.500	69.32 2.729	57.71 2.272	49.86 1.963

DR72-SZJ-xx-LF
LEADFREE
RoHS Compliant



P.C.B LAYOUT

MORETHANALL
CONNECTORS
ASSEMBLIES

煜倫股份有限公司

PART NO. DR72-SZJ-xx	
DWG NO. DR72-SZJ-xx	
FILE NO.	SCALE 1:1

CHECKED BY CY	TOLERANCES ARE .X ± 0.2 .XX ± 0.1 .XXX ± AWG
DRAWING BY	
PROJECTION	

DESCRIP TION:				
AREA	REVISIONS	HK	DATE	