

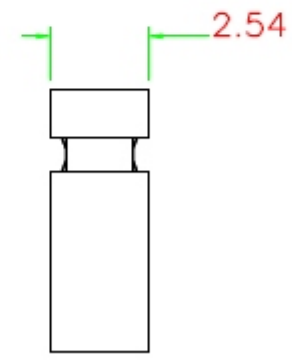
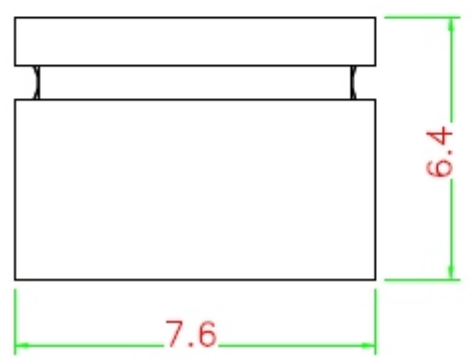
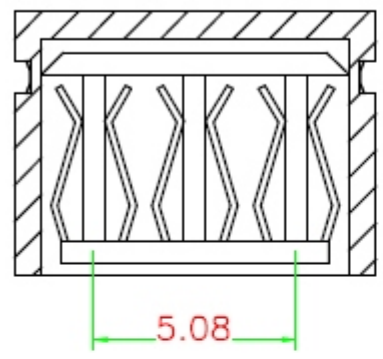
5.08MM MINI JUMPER

MATERIAL

INSULATOR : 30% Glass fiber PBT
CONTACT PIN : Brass

SPECIFICATION

CURRENT RATE : 1 AMP
INSULATION RESISTANCE : 5000MΩ Min.
CONTACT RESISTANCE : 20mΩ Max.
DIELECTRIC VOLTAGE : 500V AC for one minute
OPERATION TEMPERATURE : -55°C to +105°C



煜倫股份有限公司

PART NO. J51-A-06		CHECKED BY CY	TOLERANCES ARE .X ± 0.2 .XX ± .XXX ± AWG	DESCRIP TION:			
DWG NO. J51-A-06							
FILE NO.		DRAWING BY	PROJECTION	AREA	REVISIONS	HK	DATE
UNIT / mm	SCALE 1:1						