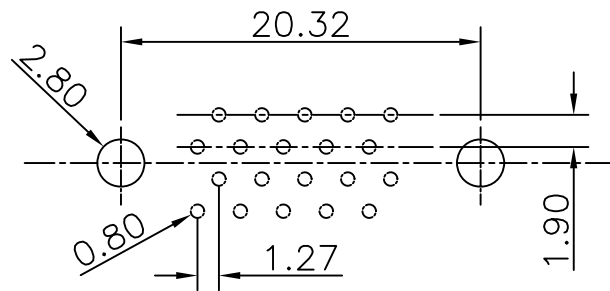
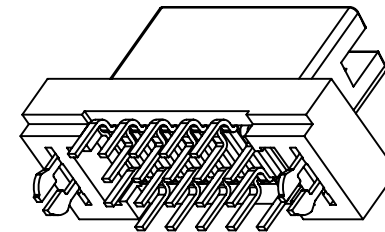
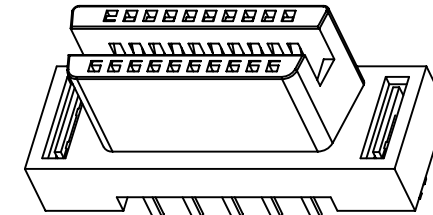
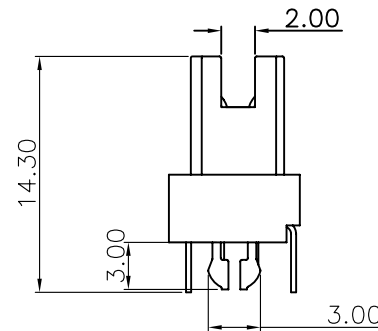
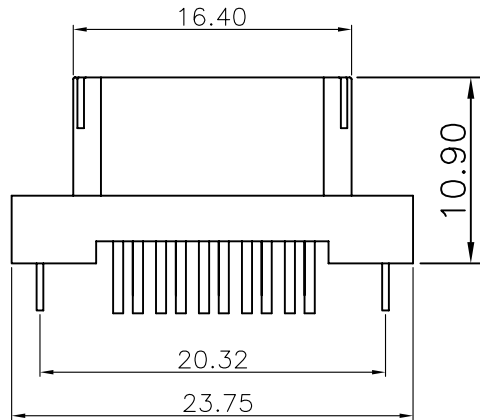


SECTION:A-A

NOTE:
 MATERIAL:
 HOUSING:THERMOPLASTIC(NYLON+GF)UL 94V-0
 CONTACT:PHOSPHOR BRONZE
 PLATING:
 CONTACT: GOLD PLATING
 SPECIFICATION:
 VOLTAGE RATING: 250V
 CURRENT RATING: 1A
 CONTACT RESISTANCE TERMINAL:30mΩ MAX
 DIELECTRIC WITHSTANDING VOLTAGE:500V AC/MIN
 INSULATION RESISTANCE:1000MΩ MIN



PCB LAYOUT: COMPONENT SIDE RECOMMENDED PCB THICKNESS:1.60mm

RoHS Compliant

TOLERANCES ARE

MORETHANALL
 PCB CONNECTORS
 Cable ASSEMBLIES

DRAWING BY CY

X.±

CHECKED BY GENIUS

.X±

UNIT / mm

SCALE 1 : 1

.XX±

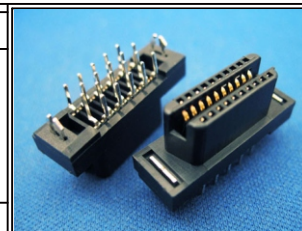
DATE

.XXX±

ANG±

SIZE A4

PPOJECTION



ORDER INFORMATION

HPCP-SDZU-20-LF

SERIES | | | LEADFREE
 20 WAY
 U TYPE
 FEMALE | CLIP
 DIP 180°

煜倫股份有限公司

www.morethanall.com

DESCRIPTION: PITCH 1.27mm CARD EDGE 20PIN DIP