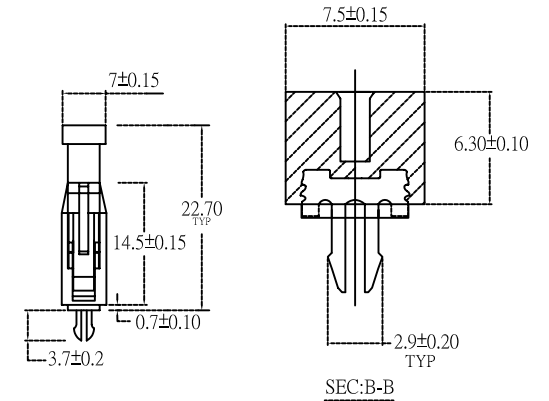
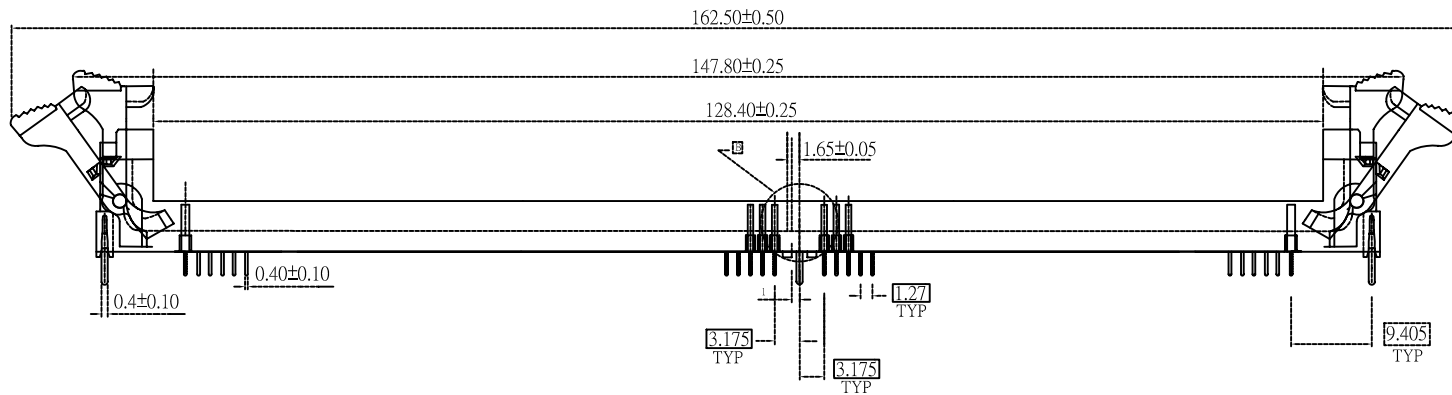
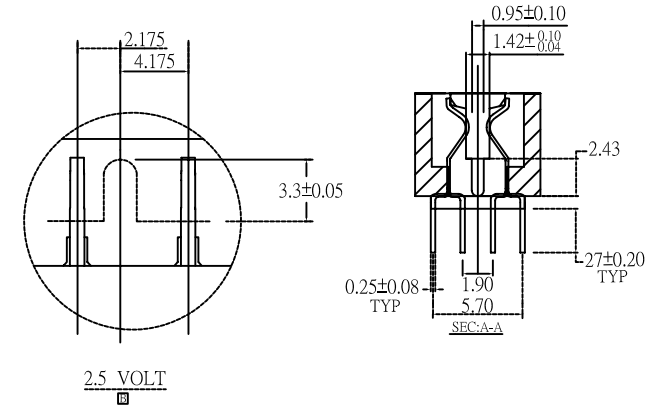


TOP VIEW WITHOUT EXTRACTORS



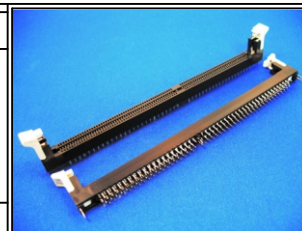
RoHS Compliant

TOLERANCES ARE

MORETHANALL
PCB CONNECTORS
Cable ASSEMBLIES

DRAWING BY CY
CHECKED BY GENIUS
UNIT / mm SCALE 1 : 1
DATE

X, ±
.X ±
.XX ±
.XXX ±
ANG ±



ORDER INFORMATION

DIM-DZ-184-LF
SERIES | LEADFREE
184 WAY
CLIP
DIP 180°

煜倫股份有限公司

www.morethanall.com

SIZE A4 PROJECTION

DESCRIPTION: DIMM 1.27 184P