

**MATERIAL**

Contact Pin : Brass

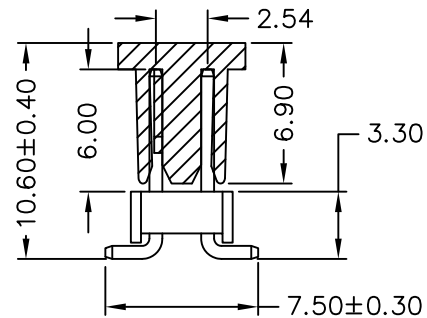
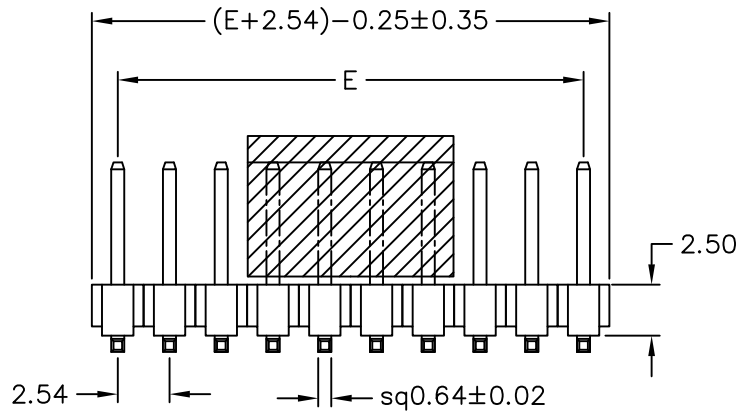
**SPECIFICATION**

Current Rate : 3 AMP

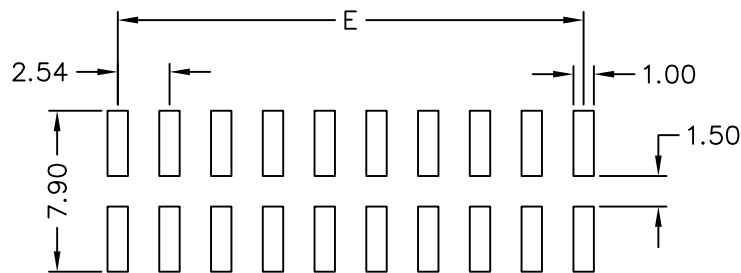
Insulation Resistance : 5000MΩMin. at DC 500V

Contact Resistance : 20mΩMax. at DC 100mA

Dielectric Voltage : AC 500V for one minute



POLES	DIM E	POLES	DIM E
		21	50.80
2	2.54	22	53.34
3	5.08	23	55.88
4	7.62	24	58.42
5	10.16	25	60.96
6	12.70	26	63.50
7	15.24	27	66.04
8	17.78	28	68.58
9	20.32	29	71.12
10	22.86	30	73.66
11	25.40	31	76.20
12	27.94	32	78.74
13	30.48	33	81.28
14	33.02	34	83.82
15	35.56	35	86.36
16	38.10	36	88.90
17	40.64	37	91.44
18	43.18	38	93.98
19	45.72	39	96.52
20	48.26	40	99.06



Recommended P.C.B Layout

**RoHS Compliant**

TOLERANCES ARE

**MORETHANALL**  
PCB CONNECTORS  
Cable ASSEMBLIES

DRAWING BY CY

X, ±  
.X ± 0.30

CHECKED BY GENIUS

.XX ± 0.20

UNIT / mm

SCALE 1 : 1

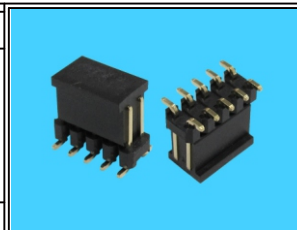
.XXX ±

ANG ± 3°

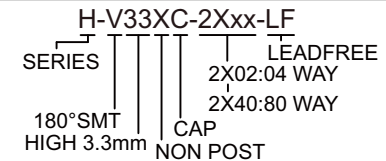
DATE

SIZE A4

PPOJECTION



**ORDER INFORMATION**



**煜倫股份有限公司**

www.morethanall.com

DESCRIPTION: PIN HEADER 2.54\*2.54mm SMT S/T TYPE, DUAL ROWS CAP+T/R