

T:1.6 Dimensions of PC board holes
Tolerance : ±0.1(Printed-top view)

CAT. NO.	PIN	SCHEMATIC
DCJ-R60-20	Ø2.0	
DCJ-R60-25	Ø2.5	

UNLESS OTHERWISE SPECIFIED, TOLERANCE ON DECIMAL: ±0.3

5	CURVE PIECE	1	H62 BRASS	MB:Cu Cu/Sn PLATED
4	PIN	1	H59 BRASS	MB:Cu Ni PLATED
3	SPRING PIECE	1	SUS301	MB:Cu Cu/Sn PLATED
2	FLAT PIECE	1	H62 BRASS	MB:Cu Cu/Sn PLATED
1	HOUSING	1	PBT	
LTR	PART NAME	QTY	MATERIAL	REMARK

RoHS Compliant

TOLERANCES ARE

MORETHANALL
PCB CONNECTORS
Cable ASSEMBLIES

煜倫股份有限公司

www.morethanall.com

DRAWING BY CY

CHECKED BY GENIUS

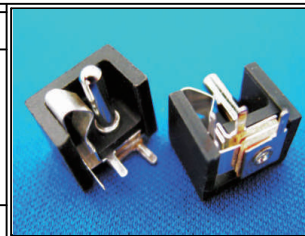
UNIT/mm SCALE 1:1

DATE

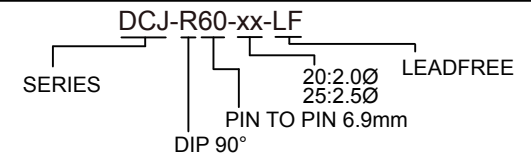
SIZE A4

PJECTION

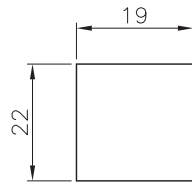
X. ±
.X ±
.XX ±
.XXX ±
ANG ±



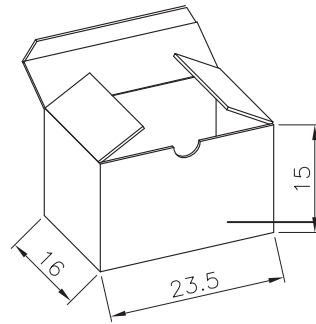
ORDER INFORMATION



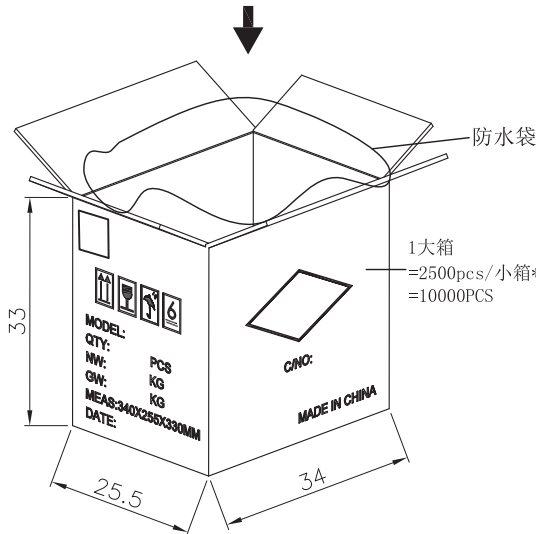
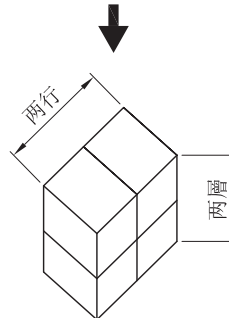
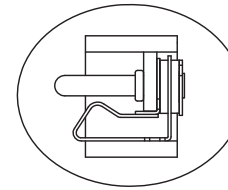
DESCRIPTION: DC POWER JACK



PE袋(500pcs1袋)



1内箱
=500pcs/袋*5袋
=2500PCS



1大箱
=2500pcs/小箱*4箱
=10000PCS

Qty.	10000 Pcs
Weight/Pcs	1.410g
N. W. /CTN	14.10kg
G. W. /CTN	15.38kg

RoHS Compliant

TOLERANCES ARE

MORETHANALL
PCB CONNECTORS
Cable ASSEMBLIES

煜倫股份有限公司

www.morethanall.com

DRAWING BY CY

CHECKED BY GENIUS

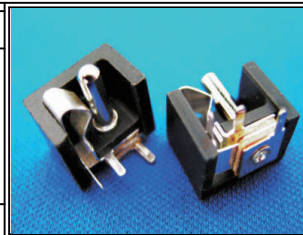
UNIT/mm SCALE 1:1

DATE

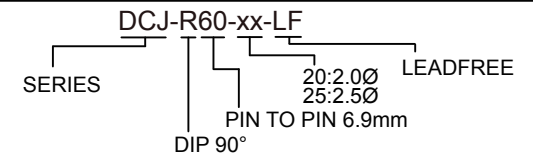
SIZE A4

PJECTION

X. ±
.X ±
.XX ±
.XXX ±
ANG ±



ORDER INFORMATION



DESCRIPTION: DC POWER JACK