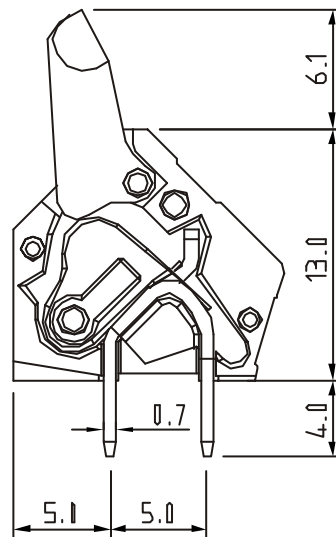
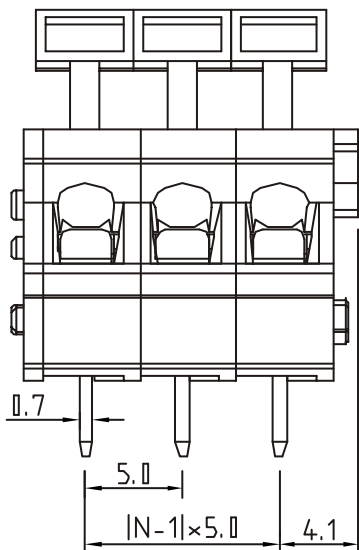
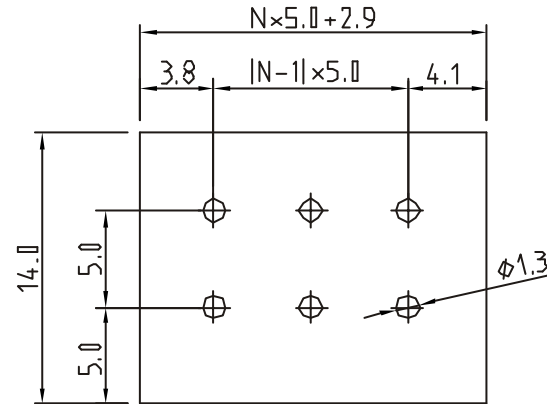
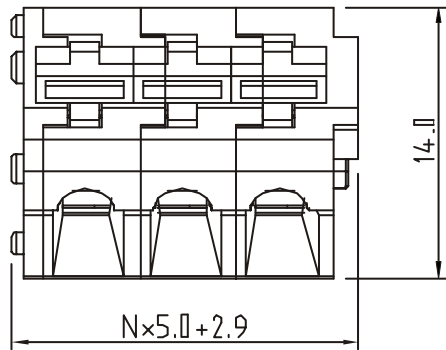


P.C.B LAYOUT



N=Number of contacts

Technical Data:

Material:

- Contact|metal housing|: Brass
- Wire guard: Stainless steel
- Surface of solder tail: tin plated
- Insulator body|housing|: Polyamide|Glass filled|UL94V- II

Electrical

- Voltage rating: 30VAC
- Current rating: 15 Amps/way max
- Contact resistance:  $21m\Omega$ |max|
- Insulation resistance:  $5010M\Omega/1010V$
- Withstanding Voltage: 150VAC|1min| Test time=60sec/1pcs
- Wire range: 12-28AWG

Mechanical:

- Operating temperature:  $-30^{\circ}C$  to  $+105^{\circ}C$
- Soldering ability: 95%coverage|min|  
Test temperature=  $230^{\circ}C \pm 1^{\circ}C$   
Test time=  $4sec \pm 0.5sec$
- Soldering reliability:  
Test temperature=  $245^{\circ}C \pm 1^{\circ}C$   
5 seconds max

RoHS Compliant

TOLERANCES ARE



煜倫股份有限公司

www.morethanall.com

DRAWING BY CY

CHECKED BY GENIUS

UNIT / mm

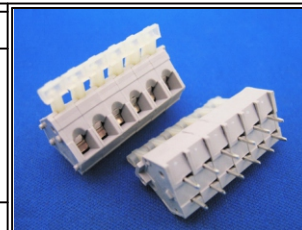
SCALE 1 : 1

DATE

SIZE A4

P PROJECTION

X, ±  
.X ± 0.20  
.XX ± 0.10  
.XXX ±  
ANG ±



ORDER INFORMATION

TBX050-A19-xx-LF

SERIES | LEADFREE  
02-24WAY  
HIGH 19.1mm  
SLANT DIP

DESCRIPTION: