

**FEATURES:**

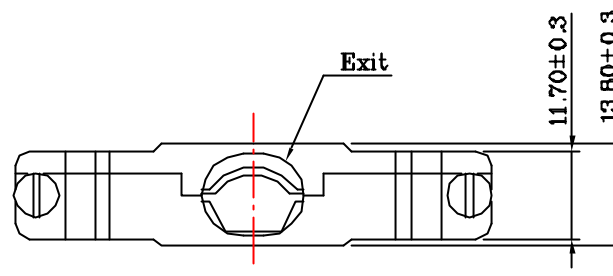
- Round cable straight exit
- Strain Relief Staple With Jackscrew
- Back shell desing by Die-Cast
- Excellent EMI/RFI protection

**MATERIALS:**

- Back Shell: Zinc plated nickel over copper
- Jackscrews: steel nickel plated over copper
- Screw: steel nickel plated over copper
- Cable Clipper: steel nickel plated



Cable Clipper



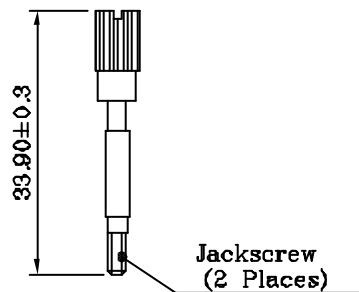
Exit

Flat Screw  
M2.6  
(2 Places)

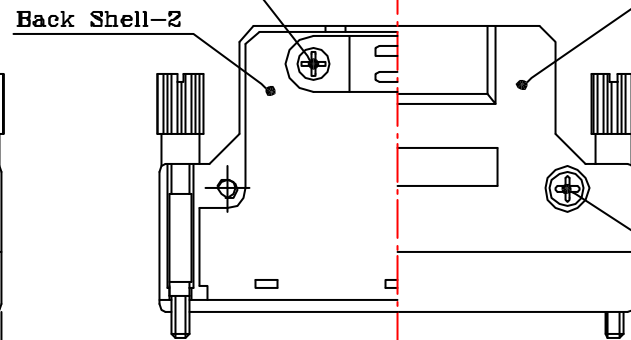
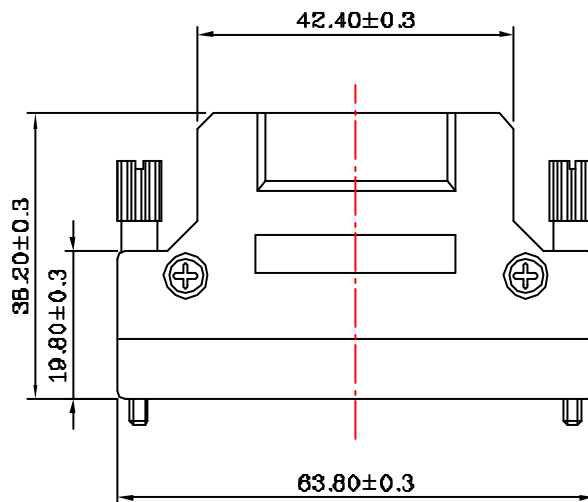
Back shell-1

Back Shell-2

Flat Screw  
M2.6  
(2 Places)

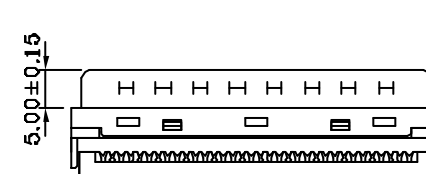
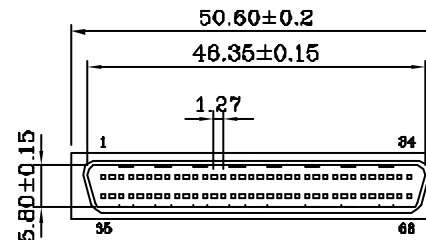
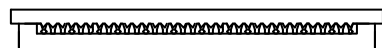
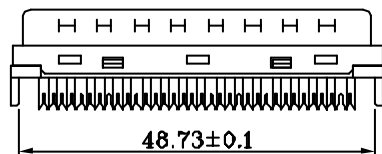


Jackscrew  
(2 Places)



HPD-PFM-068-LF  
LEADFREE

RoHS Compliant



**MORETHANALL**  
CONNECTORS  
ASSEMBLIES

PART NO. HPD-PFM-068

DWG NO. HPD-PFM-068

FILE NO.

UNIT / mm

SCALE 1:1

CHECKED BY CY

DRAWING BY

PROJECTION

TOLERANCES ARE

.X ± 0.2  
.XX ± 0.1  
.XXX ±  
AWG

DESCRIPTION:

AREA

REVISIONS

HK

DATE

焯倫股份有限公司