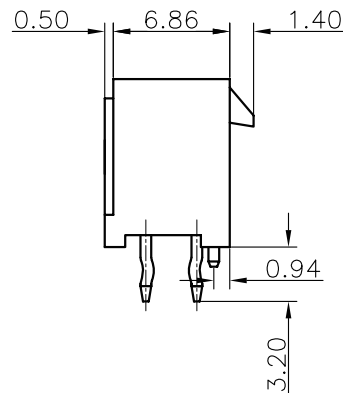
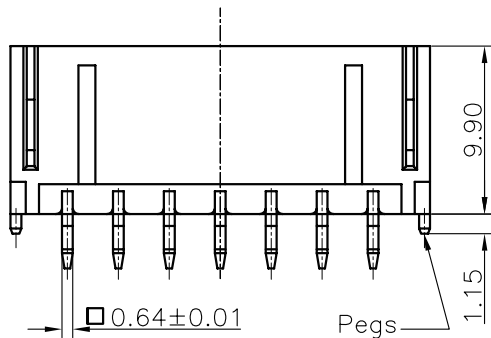
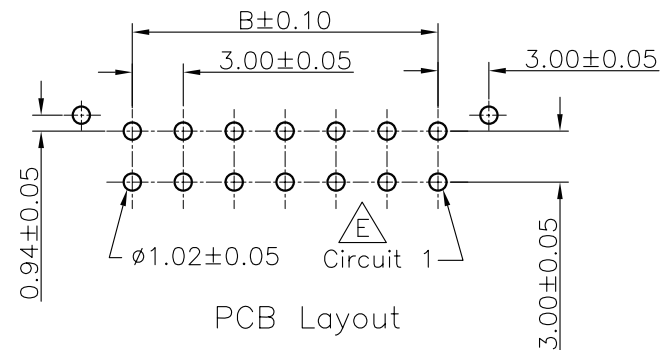


Specifications:

Current Rating:5.0A AC/DC
 Voltage Rating:250V AC/DC
 Contact Resistance:10m ohm. Max.
 Insulation Resistance:1000M ohm. Min.
 Withstanding Voltage:AC 1500V AC/minute
 Operating Temperature Range:-25°C ~ +105°C
 Material and Finish
 Insulator:High Temp. Plastic (Nylon 46 UL94V-0)
 Insulator Color:Black
 Contact:Copper Alloy
 Finish:Tin Plated



Circuits	Dimension		Circuits	Dimension	
	A	B		A	B
2	6.7	—	14	24.7	18.0
4	9.7	3.0	16	27.7	21.0
6	12.7	6.0	18	30.7	24.0
8	15.7	9.0	20	33.7	27.0
10	18.7	12.0	22	36.7	30.0
12	21.7	15.0	24	39.7	33.0



PCB Layout

RoHS Compliant

TOLERANCES ARE

MORETHANALL
 PCB CONNECTORS
 Cable ASSEMBLIES

DRAWING BY CY

CHECKED BY GENIUS

UNIT/mm

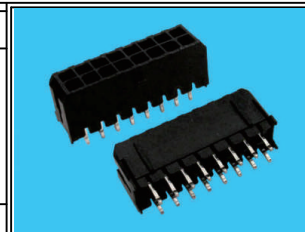
SCALE 1:1

DATE

SIZE A4

PJECTION

X. ±
 .X ± 0.20
 .XX ± 0.10
 .XXX ±
 ANG ±



ORDER INFORMATION

MIF-PDP-2Xxx-LF



煜倫股份有限公司

www.morethanall.com

DESCRIPTION: 3.0mm Pitch Power Wafer Straight Type