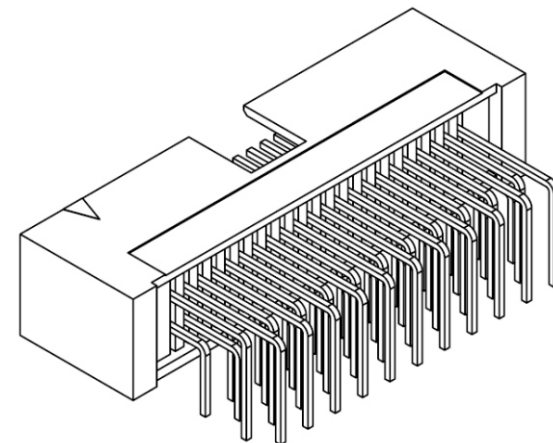
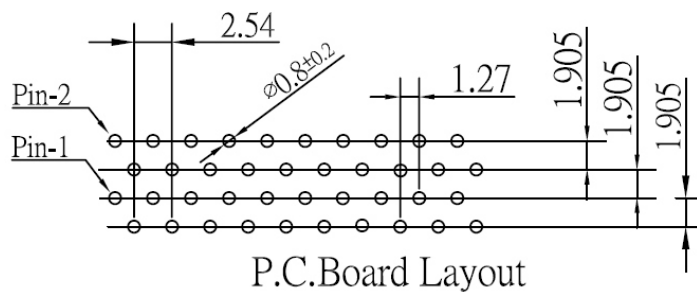
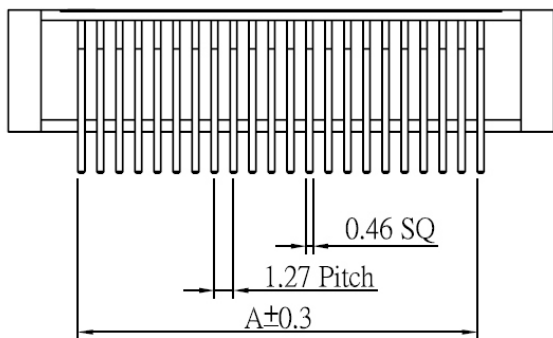
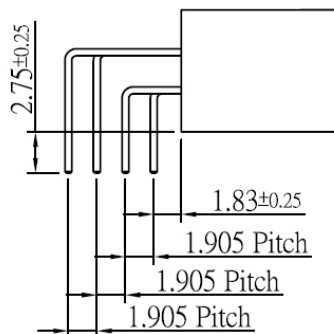
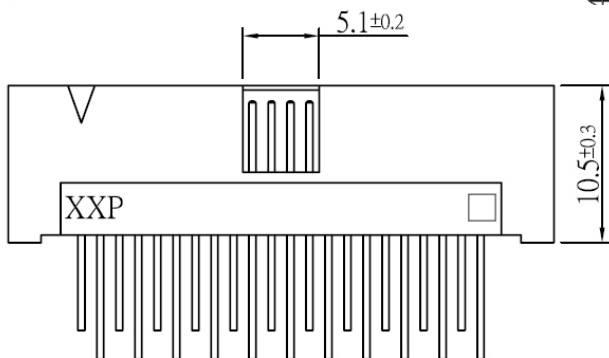


Contract:
 Contact: Brass.
 Insulator: PBT.
 Color: Black.
 Finish: Gold flash plated over nicked.



HB-R4H10-xxx-LF

LEADFREE



Circuits	Dimension		
	A	B	C
16	8.89	18.66	16.46
20	11.43	21.20	19.00
32	19.05	28.82	26.62
40	24.13	33.90	31.70
44	26.67	36.44	34.24
52	31.75	41.52	39.32
60	36.83	46.60	44.40
68	41.91	51.68	49.48
80	49.53	59.30	57.10
100	62.23	72.00	69.80

MORETHANALL
 CONNECTORS
 ASSEMBLIES

PART NO. **HB-R4H10-xxx**

RoHS Compliant

DWG NO. **HB-R4H10-xxx**

CHECKED BY CY

TOLERANCES ARE

FILE NO.

DRAWING BY

.X ± 0.2
 .XX ±
 .XXX ±
 AWG

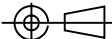
DESCRIPTION:

焜倫股份有限公司

UNIT / mm

SCALE 1:1

PROJECTION

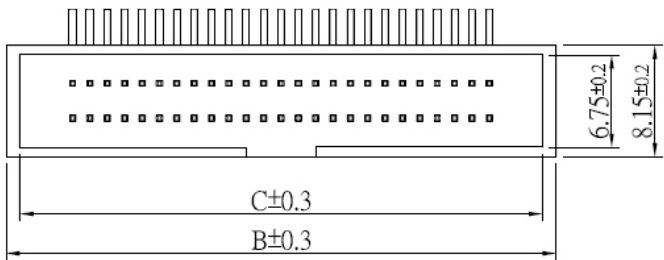


AREA

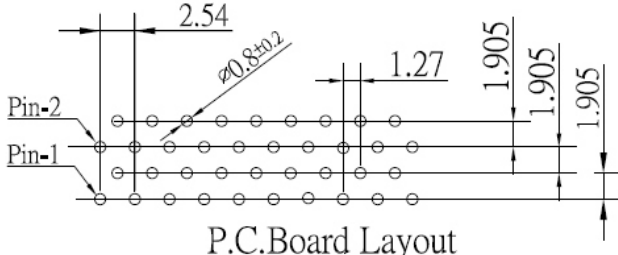
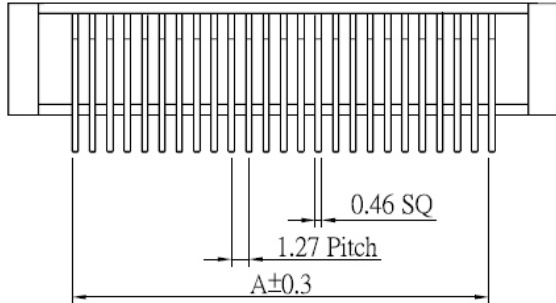
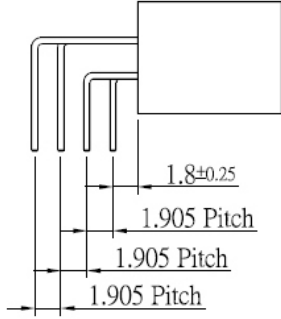
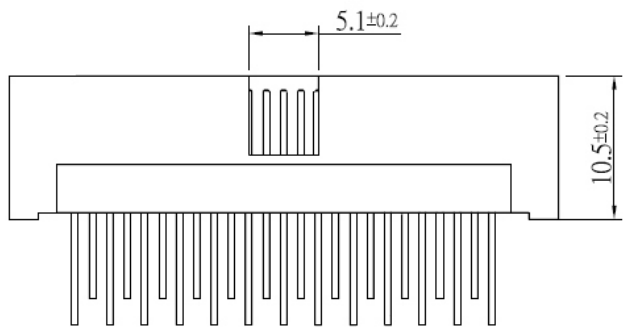
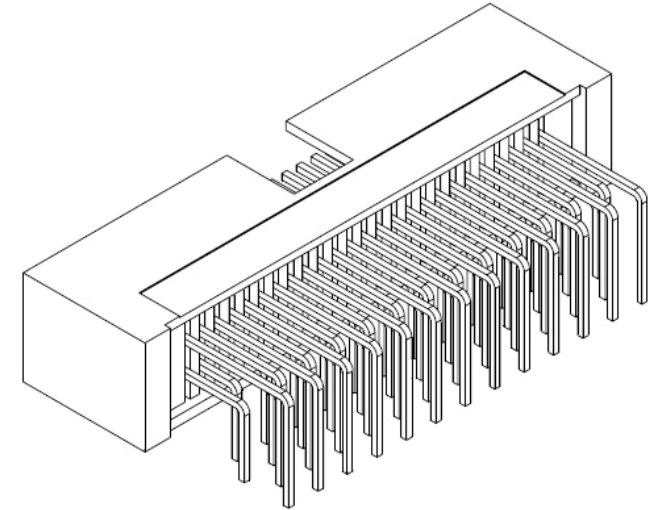
REVISIONS

HK

DATE



Contract:
 Contact: Brass.
 Insulator: PBT.
 Color: Black.
 Contact Plated: Gold Over Nickel.
 Soldeer Plated: Tin Over Nickel.



Circuits	Dimension		
	A	B	C
10	5.08	14.85	12.65
26	15.24	25.01	22.81
30	17.78	27.55	25.35
34	20.32	30.09	27.89
50	30.48	40.25	38.05
70	43.18	52.95	50.75

HB-R4H10-xxx-LF
 LEADFREE

RoHS Compliant



PART NO. **HB-R4H10-xxx**

DWG NO. **HB-R4H10-xxx**

FILE NO.

UNIT / mm

SCALE 1 : 1

CHECKED BY CY

DRAWING BY

PROJECTION

TOLERANCES ARE

- .X ± 0.2
- .XX ±
- .XXX ±
- AWG

DESCRIP TION:				
	AREA	REVISIONS	HK	DATE

煜倫股份有限公司