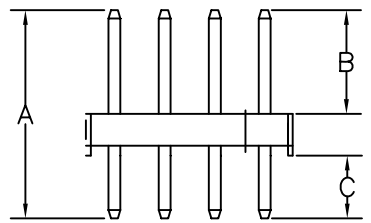
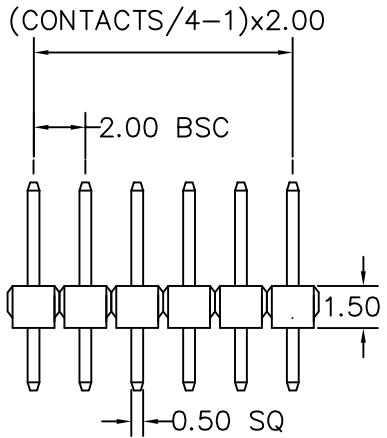


RECOMMENDED P.C.B LAYOUT



A: 8.20 mm B: 3.90 mm C: 2.80 mm

MATERIAL

HOUSING : THERMOPLASTIC UL94V-0
CONTACT : COPPER ALLOYS

SPECIFICATION

CURRENT: 1A
OPERATING TEMPERATURE: -55°C TO +105°C
CONTACT RESISTANCE : 20 MILLIOHMS MAX
INSULATION RESISTANCE : 5000 MEGAOHMS MIN
DIELECTRIC STRENGTH : 1000 VAC MIN

CONTACTS	4X16
4X2	4X17
4X3	4X18
4X4	4X19
4X5	4X20
4X6	4X21
4X7	4X22
4X8	4X23
4X9	4X24
4X10	4X25
4X11	4X26
4X12	4X27
4X13	4X28
4X14	4X29
4X15	4X30

M-D15-4Xxx-LF
LEADFREE
RoHS Compliant



PART NO. M-D15-4Xxx

DWG NO. M-D15-4Xxx

CHECKED BY CY

TOLERANCES ARE

DESCRIP TION:

FILE NO.

DRAWING BY

.X ± 0.2
.XX ±
.XXX ±
AWG

AREA	REVISIONS	HK	DATE
------	-----------	----	------

焯倫股份有限公司

UNIT / mm SCALE 1:1

PROJECTION