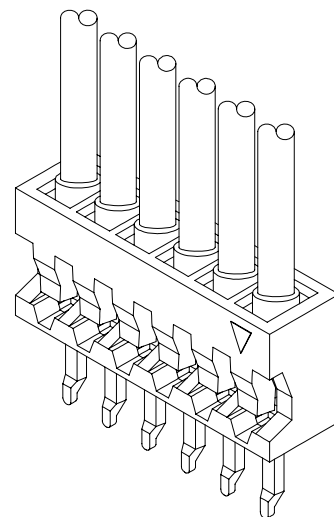


FN-H-xx-LF
LEADFREE

RoHS Compliant

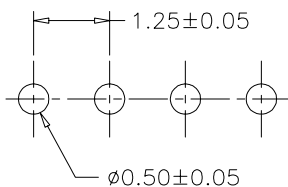
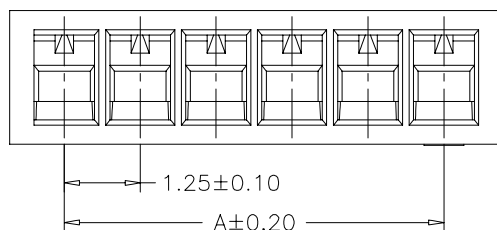


SPECIFICATIONS

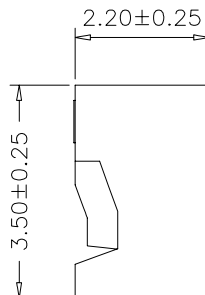
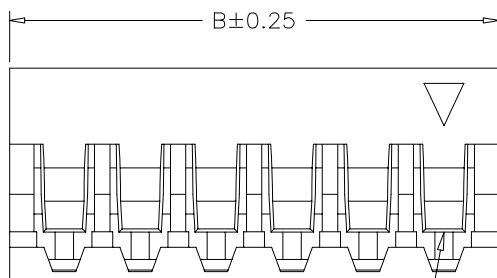
Current Rating: 1A AC,DC
Voltage Rating: 125V AC,DC
Temperature Range: -25°C ~ +85°C
Contact Resistance: 20mΩ Max.
Insulation Resistance: 100MΩ Min.
Withstanding Voltage: 500V AC/minute
Material: Nylon 66,UL94V-0
Color: Natural(White)

Ordering Information & Dimensions

PART NO.	Dimensions	
	A	B
FN-H-02	1.25	3.05
FN-H-03	2.50	4.30
FN-H-04	3.75	5.55
FN-H-05	5.00	6.80
FN-H-06	6.25	8.05
FN-H-07	7.50	9.30
FN-H-08	8.75	10.55
FN-H-09	10.00	11.80
FN-H-10	11.25	13.05
FN-H-11	12.50	14.30
FN-H-12	13.75	15.55
FN-H-13	15.00	16.80
FN-H-14	16.25	18.05
FN-H-15	17.50	19.30



SUGGESTED PCB LAYOUT
(COMPONENT SIDE)



Circuit 1

MORETHANALL
CONNECTORS
ASSEMBLIES

PART NO. FN-H-xx

DWG NO. FN-H-xx

FILE NO.

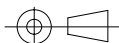
UNIT / mm

SCALE 1:1

CHECKED BY CY

DRAWING BY

PROJECTION



TOLERANCES ARE

.X ± 0.2
.XX ±
.XXX ±
AWG

DESCRIPTION: 1.25mm 180° Housing Board-in connectors

AREA

REVISIONS

HK

DATE

焯倫股份有限公司