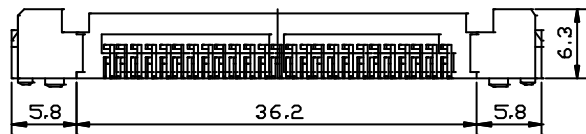
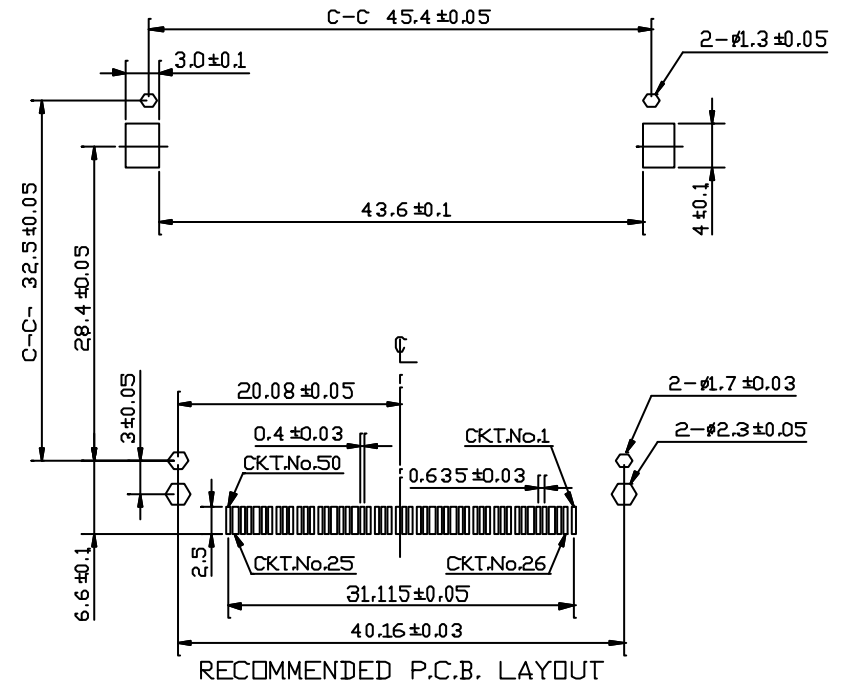
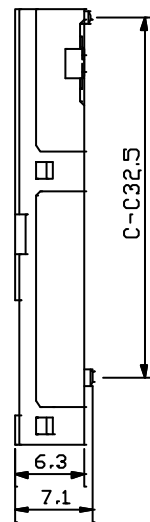
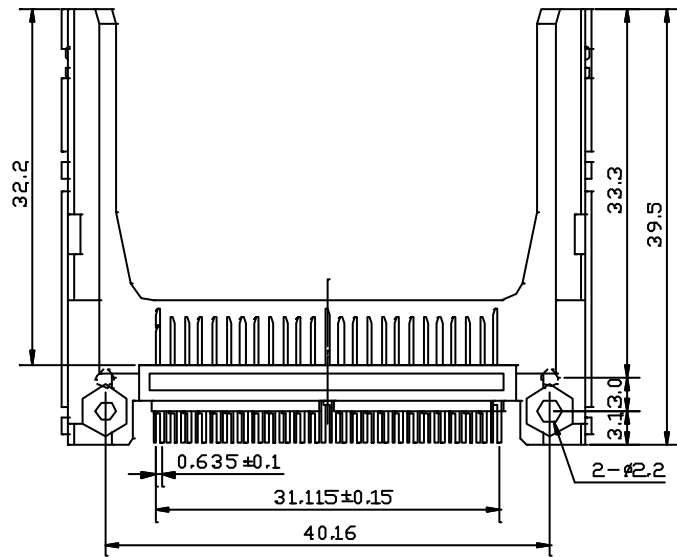


NOTES:
 MATERIAL
 Insulator: Glass Reinforced LCP UL94V-0
 Contacts: Brass Alloy
 Mount ear: Brass ; Tin plated overall
 CONTACT PLATING
 Contact area: Gold plating over 40u" Nickel
 Solder tail area: 100u" tin plating over 40u" Nickel



CFC-PW40CE201-50-LF
 LEADFREE

RoHS Compliant



PART NO. CFC-PW40CE201-50

DWG NO. CFC-PW40CE201-50

CHECKED BY CY

TOLERANCES ARE

DESCRIPTION:

CF CARD HEADER
 SMT 50P TYPE II (A)

煜倫股份有限公司

FILE NO.

DRAWING BY

.X ± 0.2
 .XX ±
 .XXX ±
 AWG

AREA

REVISIONS

HK

DATE

UNIT / mm

SCALE 1:1

PROJECTION

