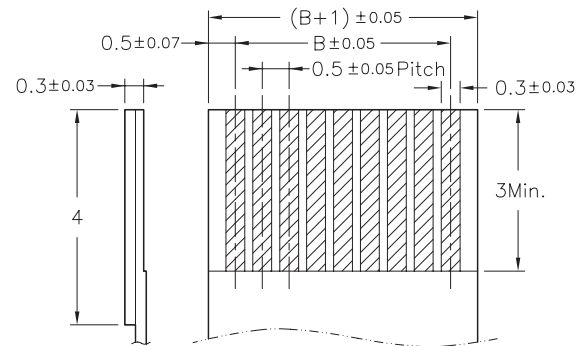
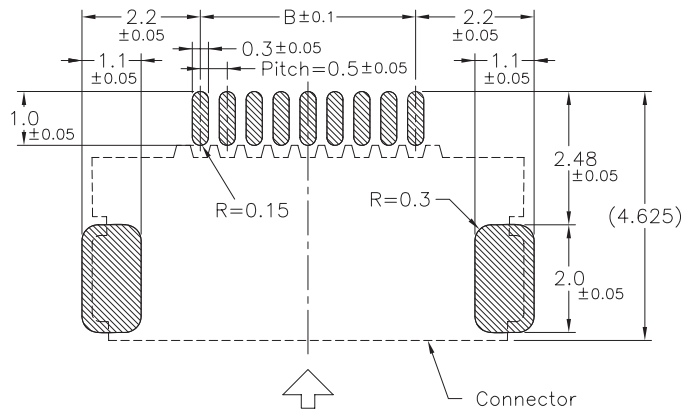
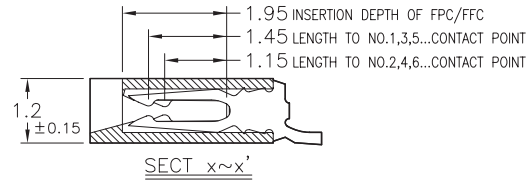
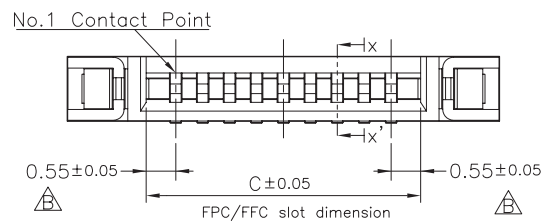


**NOTE:**

- 1.MATERIAL:  
HOUSING:THERMOPLASTIC  
CONTACTS:COPPER ALLOY
- 2.PLATING:  
CONTACTS:SEE ORDERING INFORMATION  
SOLDER PAD:TIN OVER NICKEL
- 3.RATING:  
OPERATING VOLTAGE:50V  
CURRENT RATING:0.4A  
OPERATING TEMPERATURE:-55°C ~ +85°C

No.of Contacts	DIM. A	DIM. B	DIM. C
4	5.53	1.5	2.6
5	6.03	2	3.1
6	6.53	2.5	3.6
7	7.03	3	4.1
8	7.53	3.5	4.6
9	8.03	4	5.1
10	8.53	4.5	5.6
11	9.03	5	6.1
12	9.53	5.5	6.6
13	10.03	6	7.1
14	10.53	6.5	7.6
15	11.03	7	8.1
16	11.53	7.5	8.6
17	12.03	8	9.1
18	12.53	8.5	9.6
19	13.03	9	10.1
20	13.53	9.5	10.6
21	14.03	10	11.1
22	14.53	10.5	11.6
26	15.03	11	12.1
24	15.53	11.5	12.6
25	16.03	12	13.1
26	16.53	12.5	13.6
27	17.03	13	14.1
28	17.53	13.5	14.6
29	18.03	14	15.1
30	18.53	14.5	15.6
31	19.03	15	16.1
32	19.53	15.5	16.6
33	20.03	16	17.1
34	20.53	16.5	17.6
35	21.03	17	18.1
36	21.53	17.5	18.6
37	22.03	18	19.1
38	22.53	18.5	19.6
39	23.03	19	20.1
40	23.53	19.5	20.6
41	24.03	20	21.1
42	24.53	20.5	21.6
43	25.03	21	22.1
44	25.53	21.5	22.6
45	26.03	22	23.1
46	26.53	22.5	23.6
47	27.03	23	24.1
48	27.53	23.5	24.6
49	28.03	24	25.1
50	28.53	24.5	25.6



FPC/FFC INSERT DIRECTION  
PCB Layout

Applicable FPC

FPV-WL2-xx-LF  
LEADFREE  
RoHS Compliant

本部品不含有環境管理物質規定之有害物質



PART NO. FPV-WL2-xx

DWG NO. FPV-WL2-xx

FILE NO.

CHECKED BY CY

DRAWING BY

TOLERANCES ARE

.X ± 0.2  
.XX ±  
.XXX ±  
AWG

DESCRIPTION:

煜倫股份有限公司

UNIT / mm

SCALE 1:1

PROJECTION



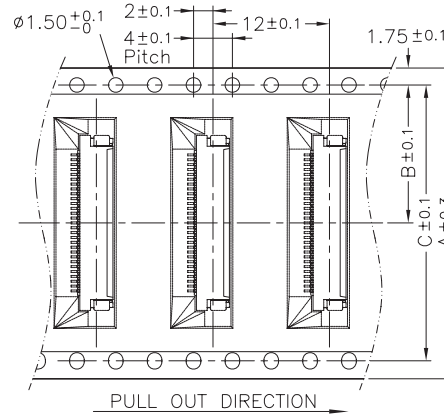
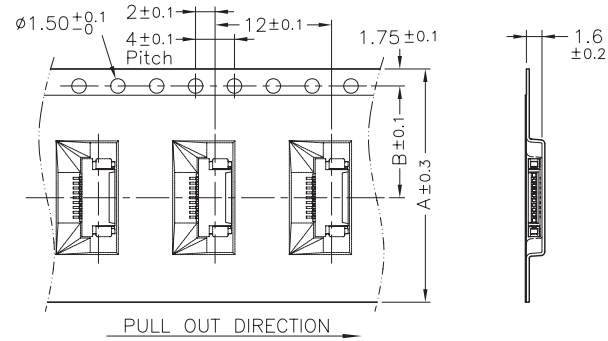
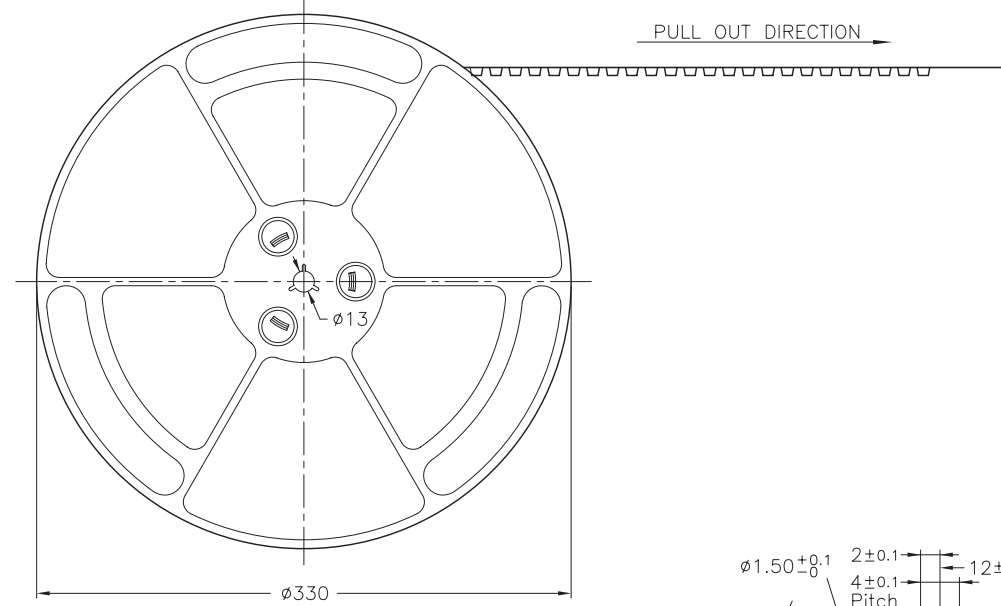
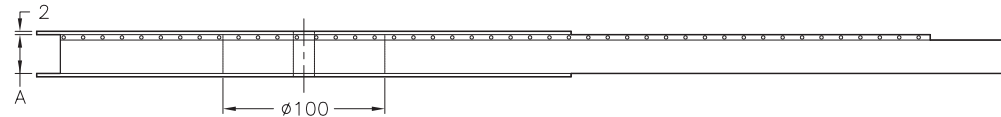
AREA

REVISIONS

HK

DATE

# EMBOSSED TAPE PACKING



**Note:**

- 1.10 sprocket hole pitch cumulative tolerance ±0.2.
- 2.Carrier camber is within 1 mm in 250mm.
- 3.Material : Black Conductive Polystyrene Alloy.
- 4.All dimensions meet EIA-481-B requirements.
- 5.Thickness : 0.3±0.05mm.
- 6.Component load per 13" reel :3000 pcs.
- 7.For tape width (dimension A) 16mm and 24mm a pilot hole is provided on one side. For tape width (dimension A) 32mm and 44mm pilot holes are provided on both sides.

No.of Contacts	DIM. A	DIM. B	DIM. C
04 ↓ 18	24	11.5	—
19 ↓ 29	32	14.2	28.4
30 ↓ 50	44	20.2	40.4

本產品不含有環境管理物質規定之有害物質



PART NO. FPV-WL2-xx

DWG NO. FPV-WL2-xx

FILE NO.

CHECKED BY CY

DRAWING BY

TOLERANCES ARE

.X ± 0.2  
.XX ±  
.XXX ±  
AWG

DESCRIPTION:

煜倫股份有限公司

UNIT / mm

SCALE 1:1

PROJECTION

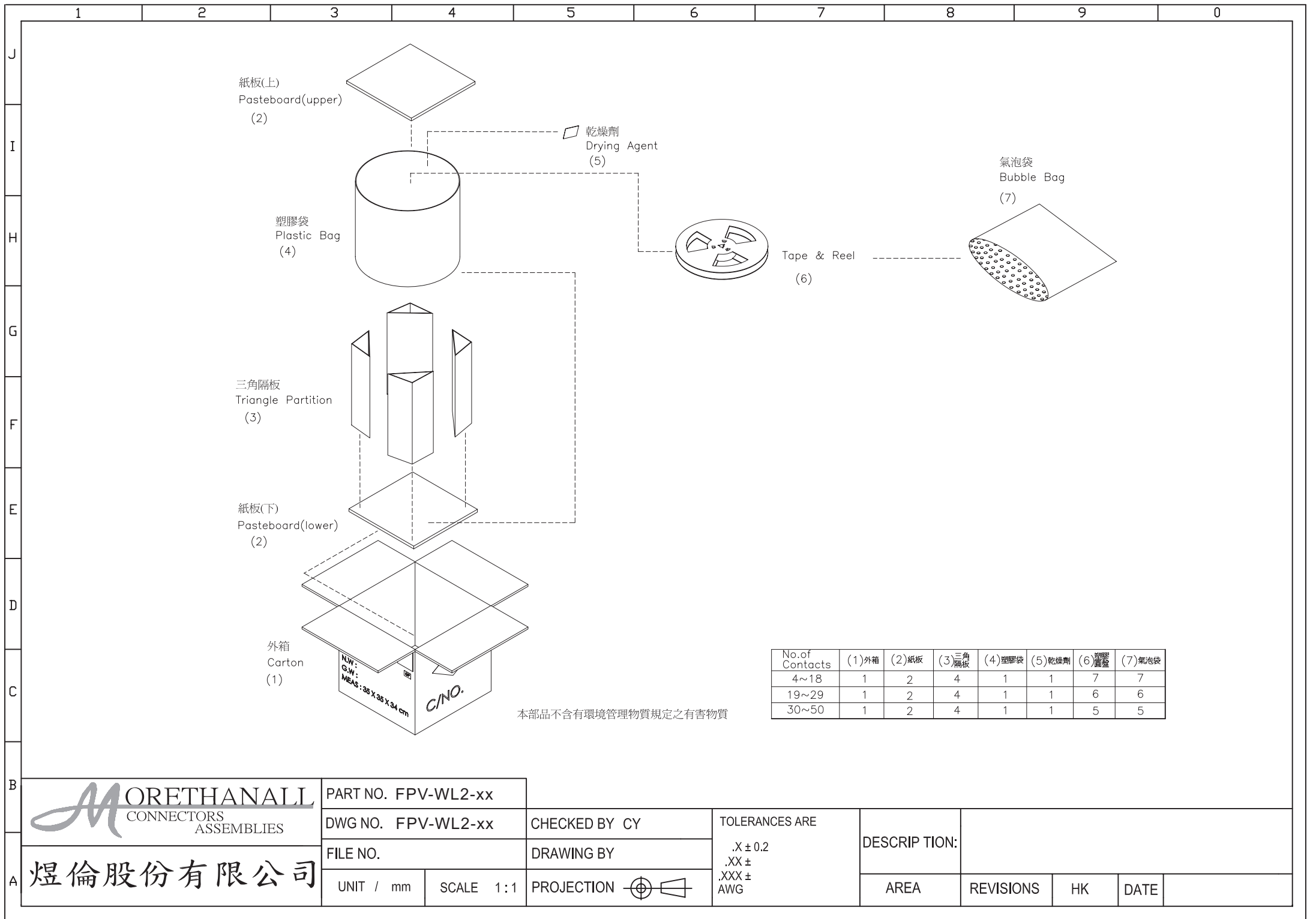


AREA

REVISIONS

HK

DATE



紙板(上)  
Pasteboard(upper)  
(2)

乾燥劑  
Drying Agent  
(5)

塑膠袋  
Plastic Bag  
(4)

Tape & Reel  
(6)

氣泡袋  
Bubble Bag  
(7)

三角隔板  
Triangle Partition  
(3)

紙板(下)  
Pasteboard(lower)  
(2)

外箱  
Carton  
(1)

本部品不含有環境管理物質規定之有害物質

No. of Contacts	(1)外箱	(2)紙板	(3)三角隔板	(4)塑膠袋	(5)乾燥劑	(6)膠帶	(7)氣泡袋
4~18	1	2	4	1	1	7	7
19~29	1	2	4	1	1	6	6
30~50	1	2	4	1	1	5	5

**MORETHANALL**  
CONNECTORS  
ASSEMBLIES

PART NO. FPV-WL2-xx

DWG NO. FPV-WL2-xx

CHECKED BY CY

TOLERANCES ARE

DESCRIPTION:

煜倫股份有限公司

FILE NO.

DRAWING BY

.X ± 0.2  
.XX ±  
.XXX ±  
AWG

UNIT / mm

SCALE 1:1

PROJECTION

AREA

REVISIONS

HK

DATE