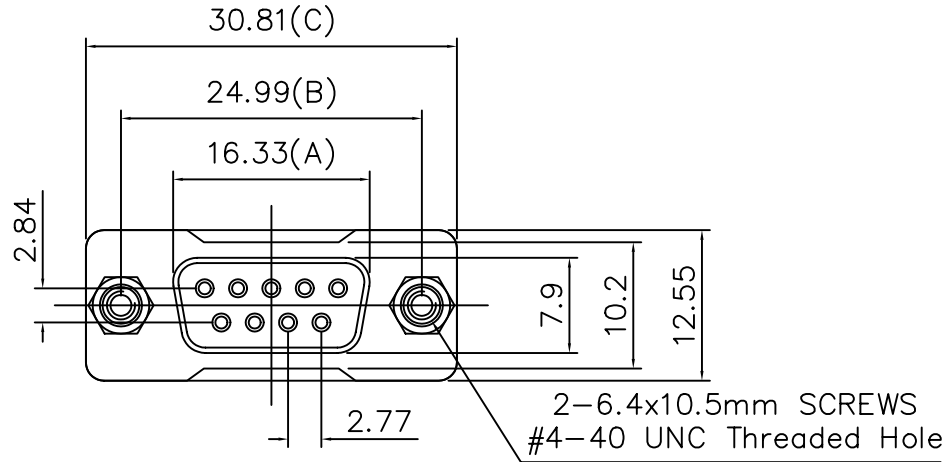


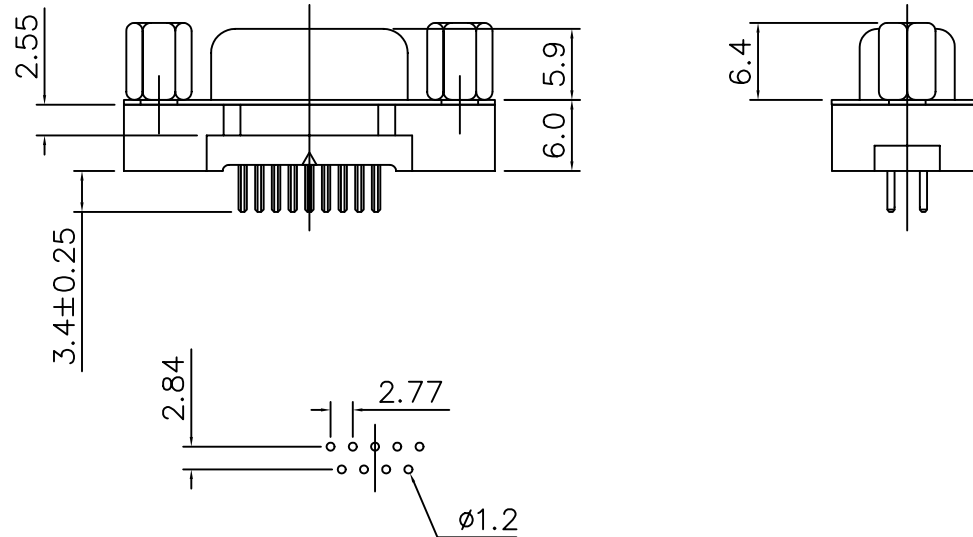
### Specifications

Contact Resistance: 30 $\Omega$  max. at DC 100mA  
 Insulator Resistance: 1000M $\Omega$  min. at DC 500V  
 Current Rating: 5 AMP  
 Dielectric Withstanding  
 Voltage: AC 1000V For 1 minute  
 Operating Temperature: -55°C ~ +105°C  
 Contact: Brass  
 Housing: PBT & 30% Glass Fiber (UL 94V-0)



### Dimension

Positon	A	B	C
*9	16.33	24.99	30.81
15	24.66	33.32	39.14
25	38.38	47.04	53.04
37	54.84	63.50	69.32



Recomended PCB Layout

**MORETHANALL**  
CONNECTORS  
ASSEMBLIES

煜倫有限公司

PART NO.	DDM-SNJ-09
DWG NO.	DDM-SNJ-09
FILE NO.	
UNIT / mm	SCALE 1:1

CHECKED BY	CY
DRAWING BY	
PROJECTION	

TOLERANCES ARE  
 .X ± 0.1  
 .XX ± 0.05  
 .XXX ±  
 AWG

DESCRIPTION:	D-SUB DIP STRAIGHT TYPE			
AREA	REVISIONS	HK	DATE	