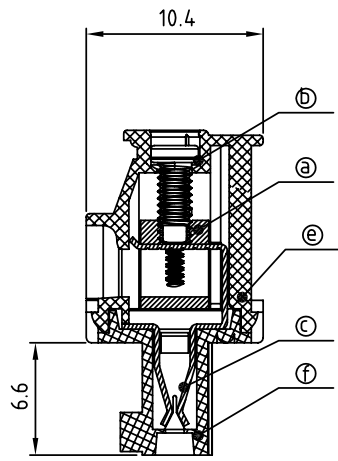


N = Number of contacts



Material

- Item a Clamp: Brass(CuZn) Ni plated
- Item b Terminal screw: Steel Zinc plating "-" slot type
- Item c Female contact: PhBz Tin plated
- Item d With flange screw: Steel Zinc plating M2.5 "+/-" slot type
- Item e Terminal(housing): Thermoplastic (UL94V-0)
- Item f Terminal(cover): Thermoplastic (UL94V-0)

△ Electrical cULus/VDE

- Voltage rating: 300VAC/300VAC
- Current rating: 8A/10A
- Wire range: 1.5mm²
- Solid wire(AWG): 16-28
- Stranded wire(AWG): 16-28
- Torque: 1.7Lb-In./0.2Nm
- Screw: M2
- Wire strip length: 6-7mm
- Withstanding Voltage: 1.6KV/2.5KV
- Operating temperature: -40°C to +115°C
- Safety approval:

DIMENSION

A	NX3.81
B	(N-1)X3.81

Poles	Tolerance
2P-8P	±0.10
9P-16P	±0.20
17P-24P	±0.30

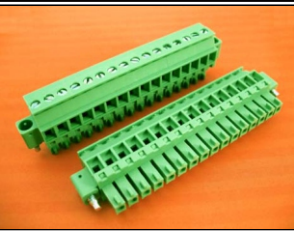
RoHS Compliant



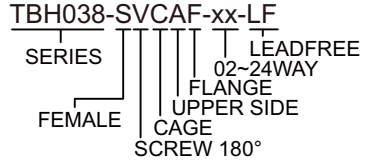
煜倫股份有限公司

www.morethanall.com

DRAWING BY CY		TOLERANCES ARE X. ± .X ± .XX ± .XXX ± ANG ±
CHECKED BY GENIUS		
UNIT / mm	SCALE 1 : 1	
DATE		
SIZE A4	PJECTION	



ORDER INFORMATION



DESCRIPTION: