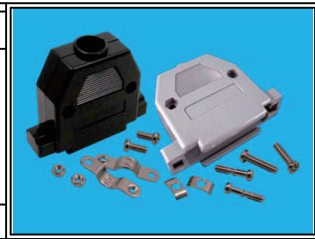
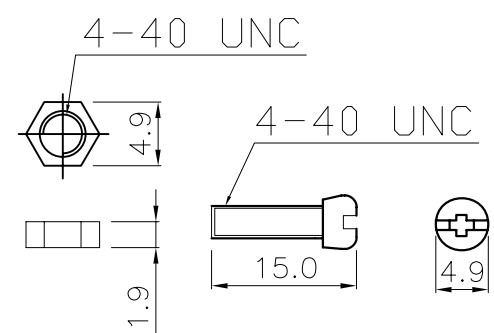
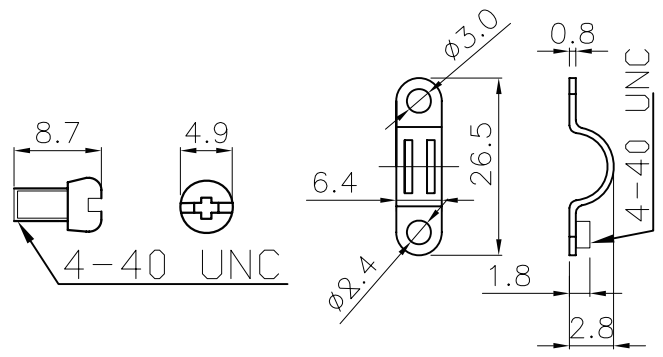
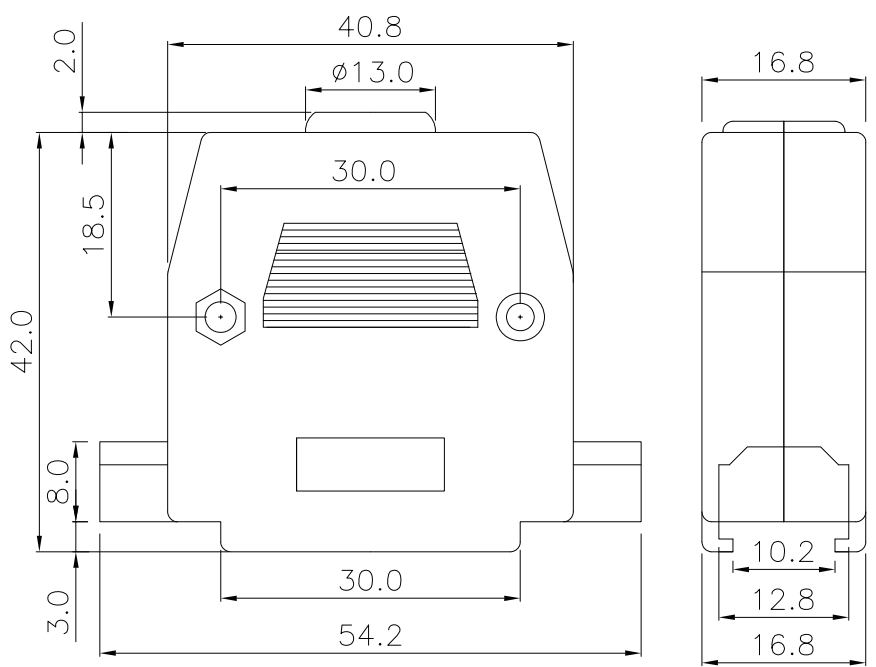
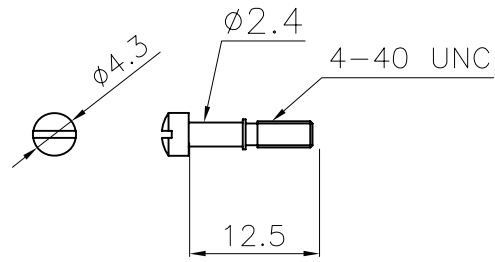
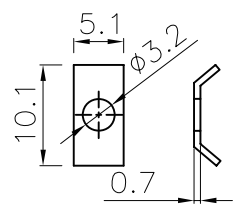
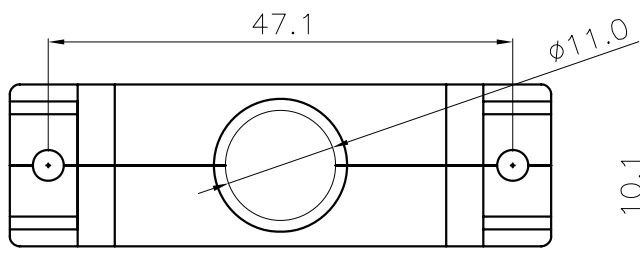
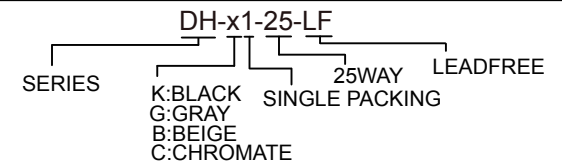


MATERIAL:
 INSULATOR : ABS UL94HB
 SCREW: STEEL
 FINISHED : CHROMATE PLATED
 R=ROHS環保料件,
 TYPE OPTION:
 101=STANDARD TYPE SHORT SCREW
 (一般裝配殼+短螺絲系列)



ORDER INFORMATION



DESCRIPTION: D-SUB PLASTIC HOOD,25P STANDARD TYPE,SHORT SCREW

RoHS Compliant

MORETHANALL
 PCB CONNECTORS
 Cable ASSEMBLIES

煜倫股份有限公司

www.morethanall.com

DRAWING BY CY

CHECKED BY GENIUS

UNIT/mm SCALE 1:1

DATE

SIZE A4

TOLERANCES ARE

X. ±

.X ± 0.30

.XX ± 0.20

.XXX ±

ANG ±

PPOJECTION