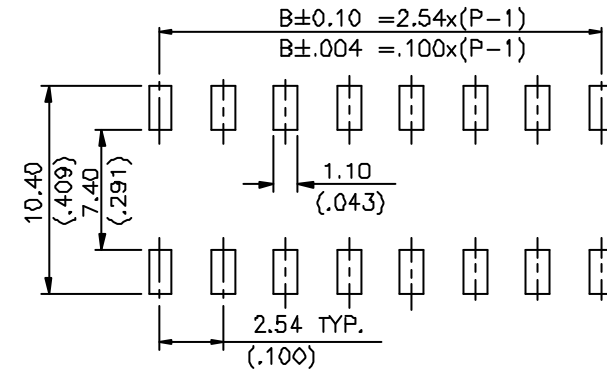
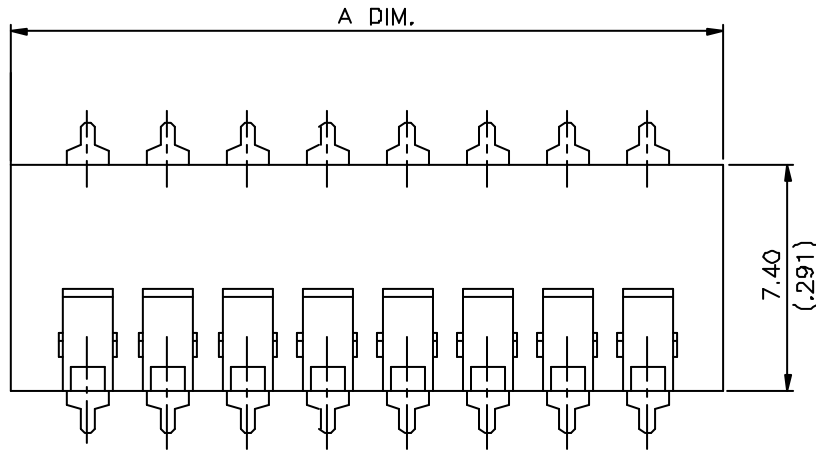


**NOTE:**

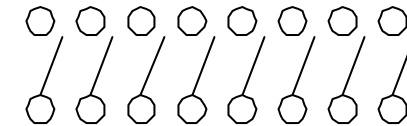
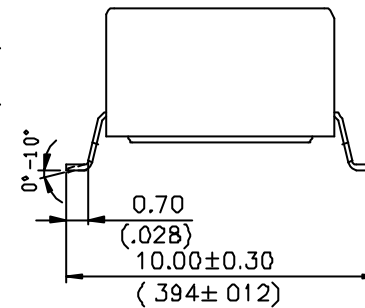
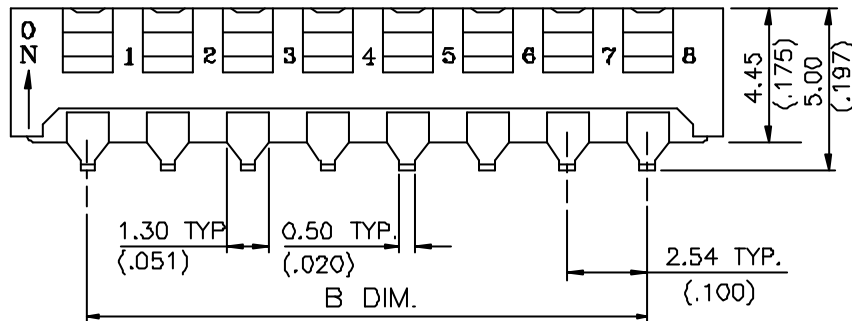
1. ALL DIMENSIONS ARE MILLIMETERS.  
BRACKETED DIMENSIONS ARE IN INCHES.
2. GENERAL TOLERANCES : DECIMAL DIMENSIONS  $\pm 0.20$  [.008]
3. MATERIAL: HIGH-TEMP THERMOPLASTIC UL94V-0

12	32.77 (1.290)	27.94 (1.100)
*10	27.69 (1.090)	22.86 (.900)
9	25.15 (.990)	20.32 (.800)
* 8	22.61 (.890)	17.78 (.700)
7	20.07 (.790)	15.24 (.600)
* 6	17.53 (.690)	12.70 (.500)
5	14.99 (.590)	10.16 (.400)
* 4	12.45 (.490)	7.62 (.300)
3	9.91 (.390)	5.08 (.200)
* 2	7.37 (.290)	2.54 (.100)
POS NO.	A DIM	B DIM.

\* AVAILABLE.



RECOMMEND PCB LAYOUT



SCHEMATIC(TYP.)  
(2 THROUGH 12 POS. AVAIL)

RoHS Compliant

TOLERANCES ARE

**MORETHANALL**  
PCB CONNECTORS  
Cable ASSEMBLIES

DRAWING BY CY

X. ±

CHECKED BY GENIUS

.X ±

UNIT / mm

SCALE 1 : 1

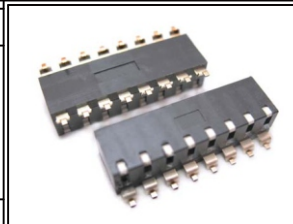
.XXX ±

DATE

ANG ±

SIZE A4

P PROJECTION



ORDER INFORMATION

SW-PV-xx-LF  
SERIES | LEADFREE  
02-12 WAY  
180°SMT  
PINANO

煜倫股份有限公司

www.morethanall.com

DESCRIPTION: IC PIANO TYPE DIP SWITCH(SMT STYLE)