

Material:

Insulator: PBT+30% Glass Fiber (UL94V-0).

Contact: Copper Alloy.

Contact Plated: Gold or Tin over Nickel Plated.

Shell: Steel with Nickel or Tin or Zinc Plated.

Specification:

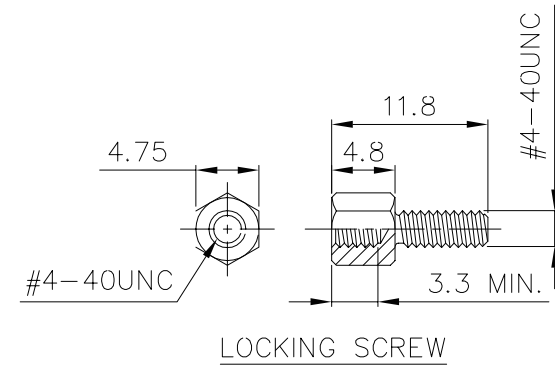
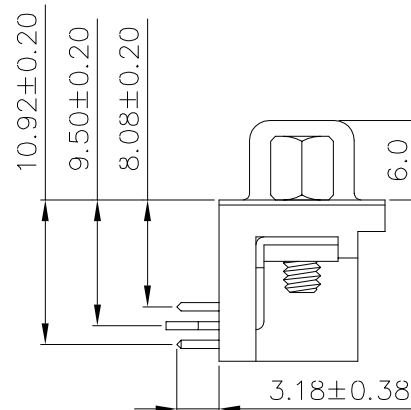
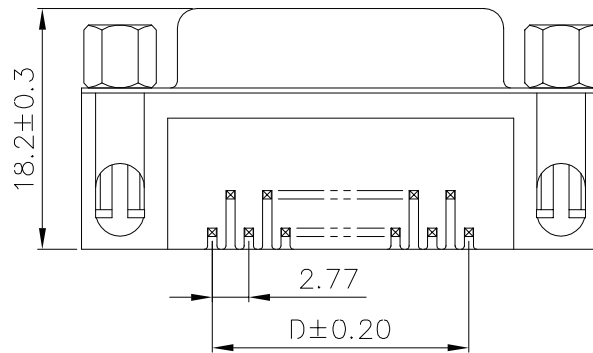
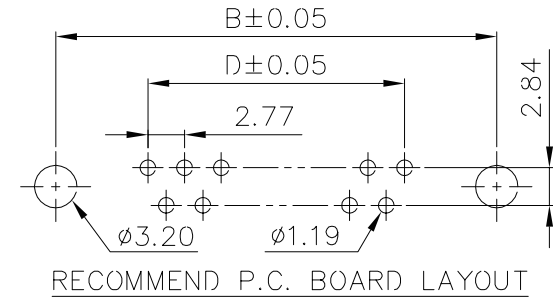
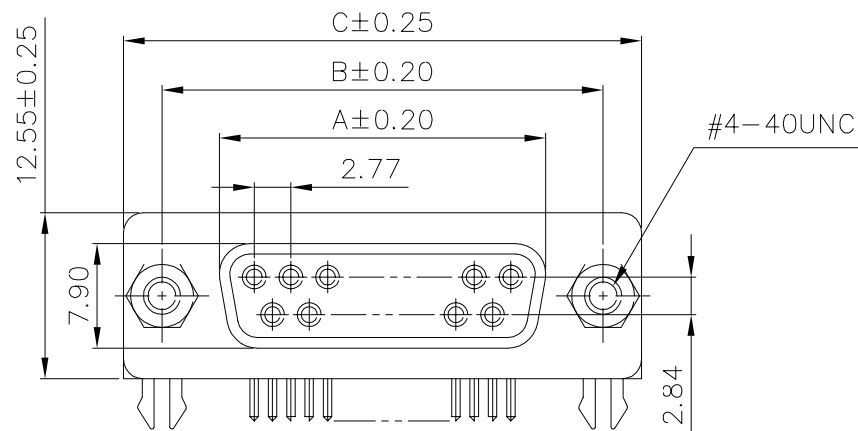
Current Rating: 5 Amps.

Withstanding Voltage: AC 500V for 1 Minute.

Insulation Resistance: 1000MΩ Min. at DC 500V.

Contact Resistance: 15mΩ Max..

Operating Temperature: -40°C ~ +105°C.



Pos.	Dim. A	Dim. B	Dim. C	Dim. D
9	16.33	24.99	30.81	11.08
15	24.66	33.32	39.14	19.39
25	38.38	47.04	53.04	33.24
37	54.84	63.50	69.32	49.86

RoHS Compliant

TOLERANCES ARE

MORETHANALL
PCB CONNECTORS
Cable ASSEMBLIES

煜倫股份有限公司

www.morethanall.com

DRAWING BY CY

CHECKED BY GENIUS

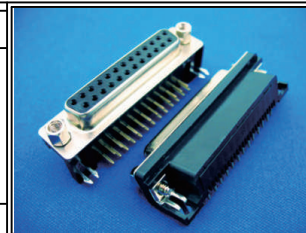
UNIT/mm SCALE 1:1

DATE

SIZE A4

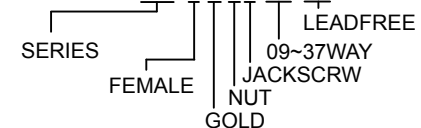
PJECTION

X, ±
.X ±
.XX ±
.XXX ±
ANG ±



ORDER INFORMATION

DR-SGNJ-xx-LF



DESCRIPTION: D-Sub Female Right Angle Connector Footprint 8.08mm Clinch Nut/Screw Lock Type