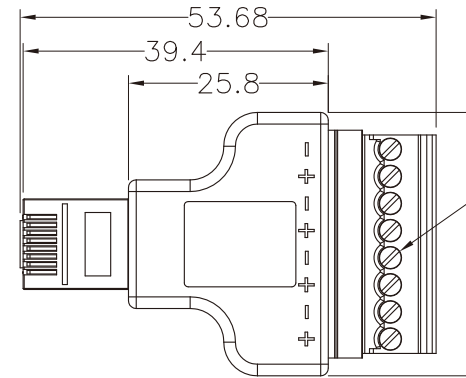
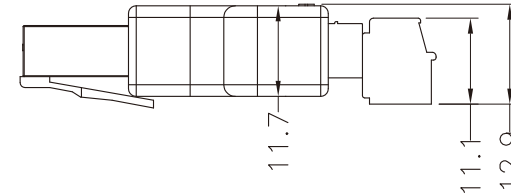
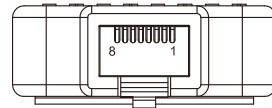
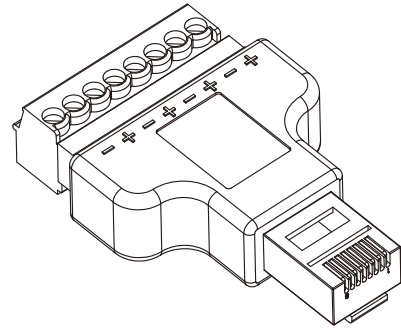


Wire Map	
RJ45 male	terminalblock
1	1
2	2
3	3
6	4
7	5
8	6
5	7
4	8



8 position terminal block
Pitch: 3.5mm



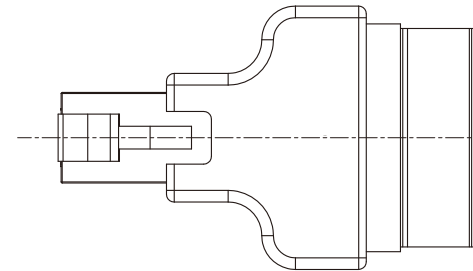
Partname:
Adapter Terminalblock>RJ45 Male

Electrical Character:

- 1> 100% open&short testing
- 2> With understanding voltage:DC 300 V 0.01 Sec.
- 3> Insulation Resistance: 10M Ohm (Min)
- 4> Conductive Resistance: 2 Ohm(Max)

Electrical Character:

- 1> Over Mold: PVC 45 Pa Black color



RoHS Compliant

TOLERANCES ARE

MORETHANALL
PCB CONNECTORS
Cable ASSEMBLIES

DRAWING BY CY

CHECKED BY GENIUS

UNIT / mm

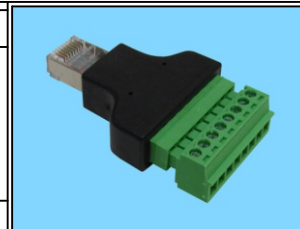
SCALE 1 : 1

DATE

SIZE A4

X. ±
.X ± 0.10
.XX ± 0.05
.XXX ±
ANG ± 1°

PJECTION



ORDER INFORMATION

RJTB-EMF035-0808-LF

SERIES

LEADFREE

8PIN TO 8P8C

TERMINAL BLOCK 3.5mm

RJ / FULL METAL

MOLDING

MALE TO FEMALE

煜倫股份有限公司

www.morethanall.com

DESCRIPTION: