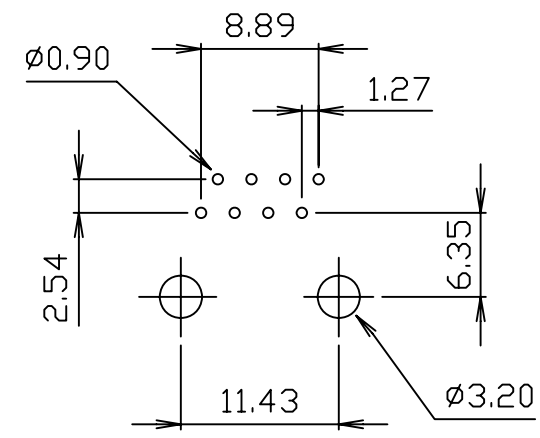


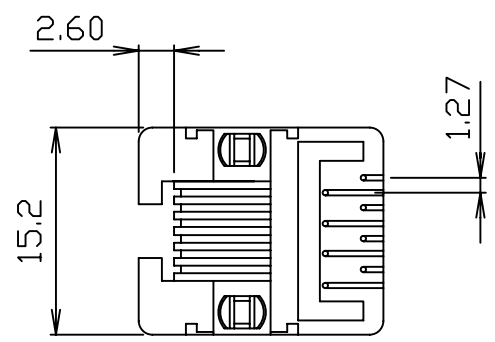
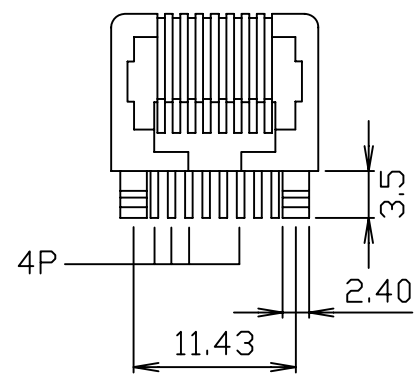
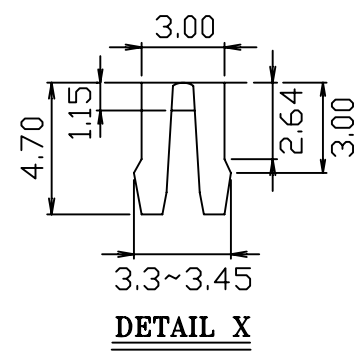
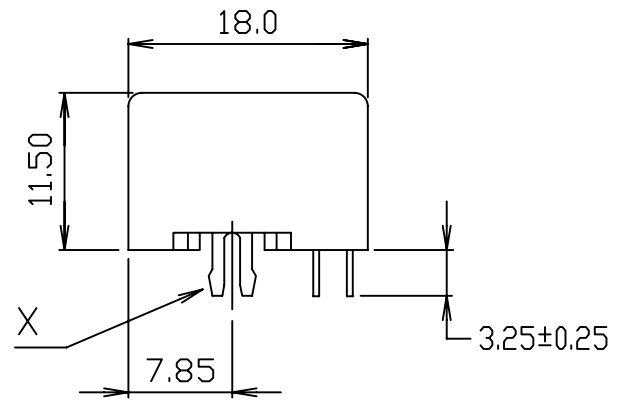
MATERIAL: HOUSING-PBT POLYESTER UL94V-0
 MIXED GLASS FIBER.
 STANDARD COLOR-BLACK
 CONTACTS-0.45mm DIAMETER PHOS-BRONZE
 PLATED WITH HARD GOLD.
 CAVITY CONFIRMS TO FCC RULES AND REGULATIONS
 PART 68,SUBPART F.

MJ11-KX06-0808-LF
 LEADFREE
 06:06u" GOLD

RoHS Compliant



PC Board Layout



PART NO. MJ11-KX06-0808

DWG NO. MJ11-KX06-0808

FILE NO.

UNIT / mm

APPROVED BY CY

DRAWING BY

SCALE 1:1

PROJECTION

TOLERANCES ARE
 .X ± 0.25
 .XX ± 0.13
 .XXX ± 0.05
 AWG

DESCRIPTION:
 AREA

8POSITION SIDE ENTRY
 VERY LOW PROFILE, PCB JACK
 REVISIONS

HK
 DATE

焜倫股份有限公司