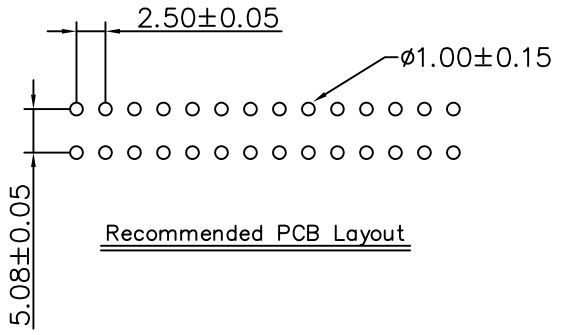
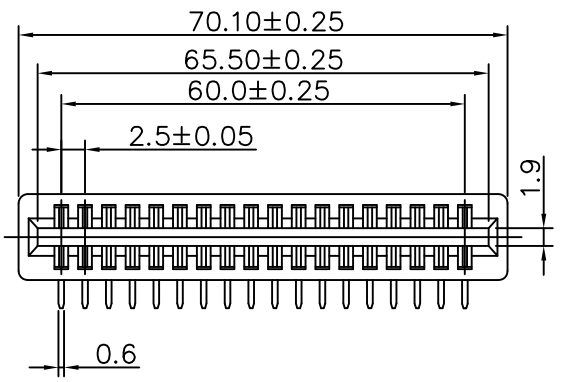


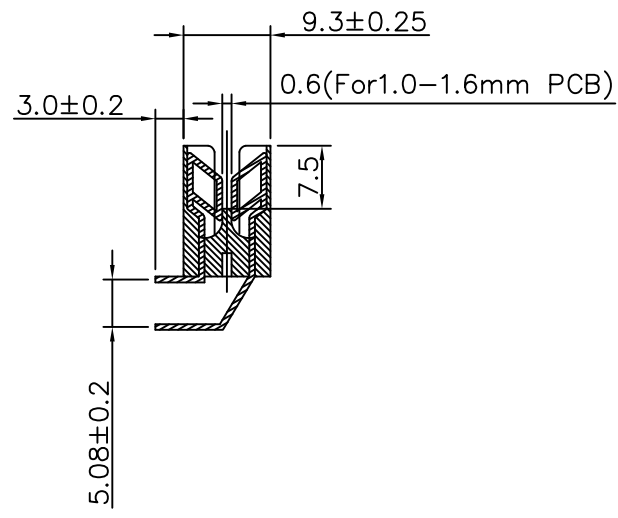
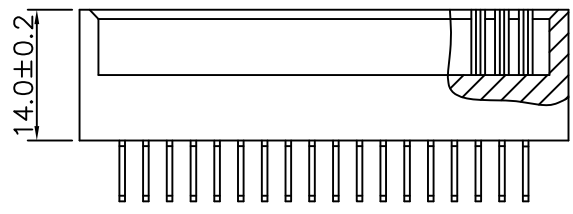
1 2 3 4 5 6 7 8 9 0

J  
I  
H  
G  
F  
E  
D  
C  
B  
A



**SPECIFICATIONS**

Current Rating:3A  
 Dielectric Withstanding Volatge:1000V AC/1 Min  
 Contact Resistance:20Milliohms Max  
 Insulation Resistance:5000Megohm Min At 500V DC  
 Operating Temperature:-55°C~+85°C  
 Insertion Force:340g Max Per Pair  
 Withdrawal Force:28g Min Per Pair  
 Insulator:Glass-Fiber PBT(UL94V-0)  
 Contact: Brass (B)  
 Plating:Gold Plating Over Nickel.  
 RoHS Compliant



GS-R-050-LF  
 LEADFREE  
 RoHS Compliant

	PART NO. GS-R-050		TOLERANCES ARE .X ± 0.2 .XX ± .XXX ± AWG	DESCRIP TION:			
	DWG NO. GS-R-050						
焯倫股份有限公司	FILE NO.		DRAWING BY	AREA	REVISIONS	HK	DATE
	UNIT / mm	SCALE 1:1	PROJECTION				