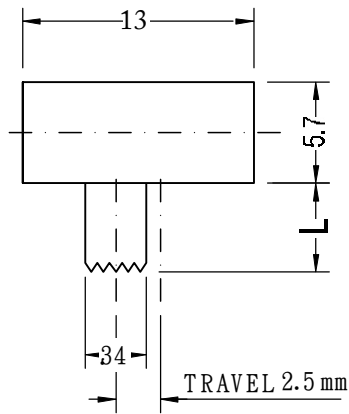
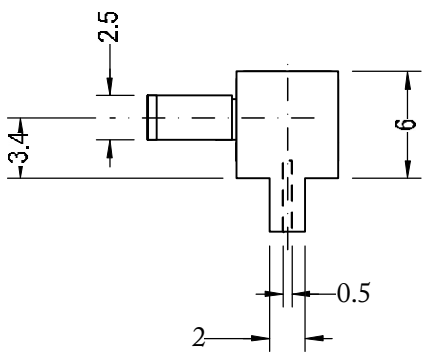
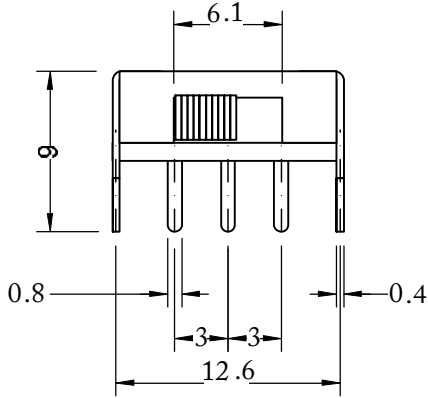


General specifications

Circuit	: ON-ON(1P2T)
Rating	: D.C. 50V 0.5A
Contact R.[max]	: D.C. 5V 1A 30mΩ
Insulation R.[min]	: D.C. 500V 100MΩ
Withstand VOL.	: A.C. 500V 1minute
Timing	: Non Shorting
Operating force	: 300±100g
Life cycle[max]	: 10,000 CYCLES



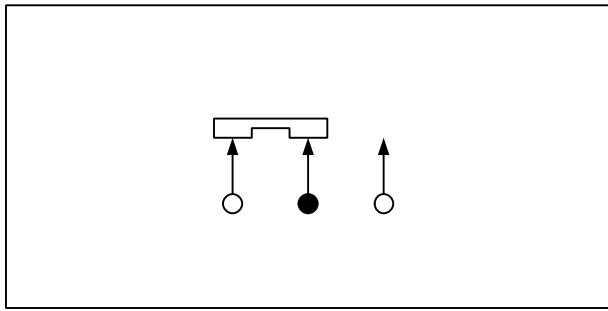
L:03~10mm



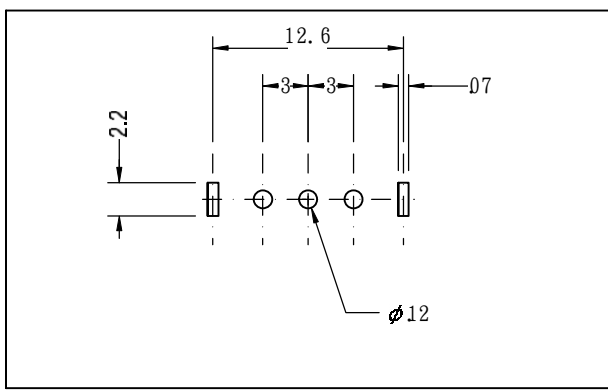
SLSW30-Rxx-1X03-LF
03~10mm LEADFREE

RoHS Compliant

SCHEMATIC



P.C.B. HOLE DETAIL



PART NO. SLSW30-Rxx-1X03

DWG NO. SLSW30-Rxx-1X03

FILE NO.

UNIT / mm

SCALE 1:1

CHECKED BY CY

DRAWING BY

PROJECTION

TOLERANCES ARE

.X ± 0.2
.XX ±
.XXX ±
AWG

DESCRIPTION:

AREA	REVISIONS	HK	DATE
------	-----------	----	------

煜倫股份有限公司