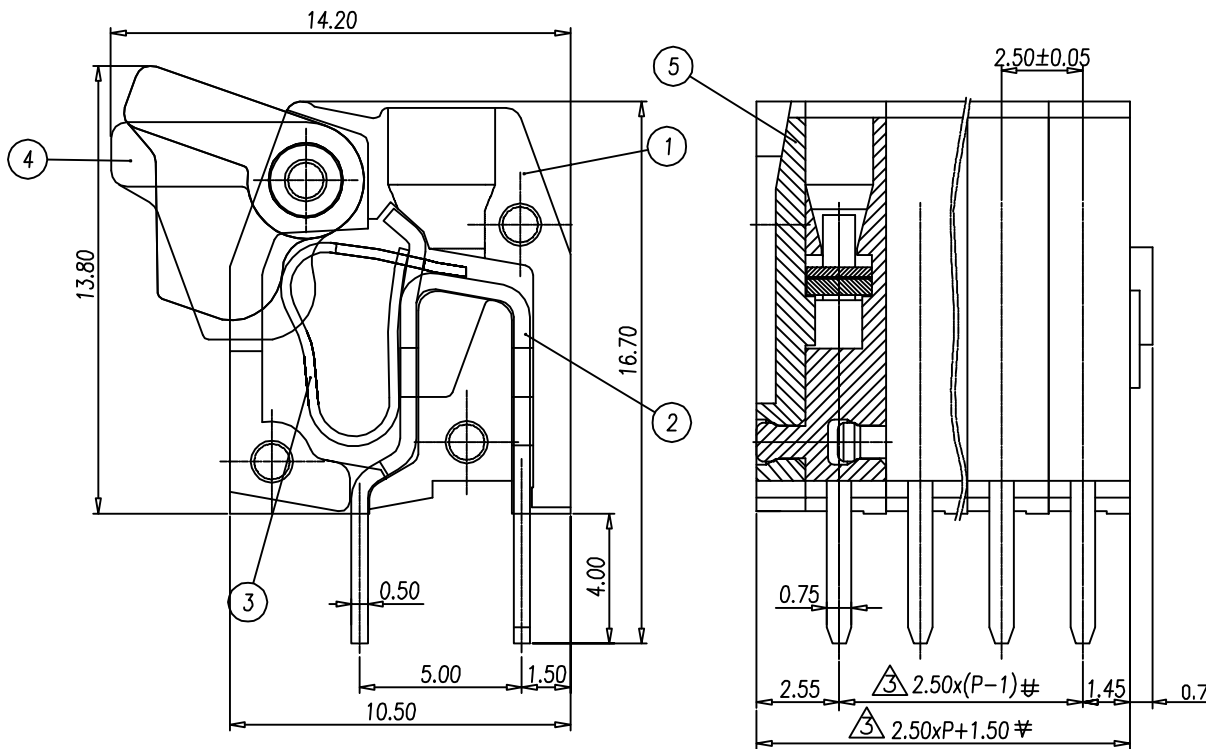


**P.C.B. LAYOUT(REF)**



- NOTES:
1. Rating: 300V 4A  
PITCH: 2.50mm
  2. Insulation Withstands Voltage:  
AC 1000 V/MIN
  3. Insulation Resistance:  
500M Ω or more at DC500V
  4. Using Temperature Range:  
-40°C~+105°C
  - 5 Suitable Electric Wire: AWG 28~20
  - 6 Undimensioned Tolerances:

—	∩	∇	0.05/10
⊥	//	≡	0.2/10
PITCH ERROR			0.05/10
UNDIMENSIONS			±0.3
TOLERANCES			±0.3

ITEM	NAME OF PART	NO. OF PART	Q*TY	MATERIAL	NOTES
5	END COVER	0119L7XX00	1	PA66	M001
4	LEVER	0119L6XX00	P	POM	W005 <del>W001</del>
3	CLAMP	X000003200	P	STAINLESS STEEL	-
2	SOLDER PIN	0119B00300	P	BRASS	TIN PLATED
1	HOUSING	0119N0XX00	P	PA66	M001

**RoHS Compliant**

TOLERANCES ARE

**MORETHANALL**  
PCB CONNECTORS  
Cable ASSEMBLIES

DRAWING BY CY

X. ±

CHECKED BY GENIUS

.X ±

UNIT / mm

SCALE 1 : 1

.XX ±

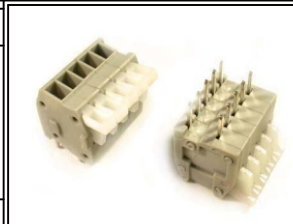
DATE

.XXX ±

ANG ±

SIZE A4

P PROJECTION



**ORDER INFORMATION**

**TBX026-D13GE-xx-LF**

SERIES

LEADFREE

02-24WAY

GRAY

HIGH 13.8mm

DIP 180°

**煜倫股份有限公司**

[www.morethanall.com](http://www.morethanall.com)

DESCRIPTION: