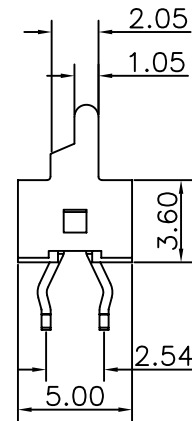
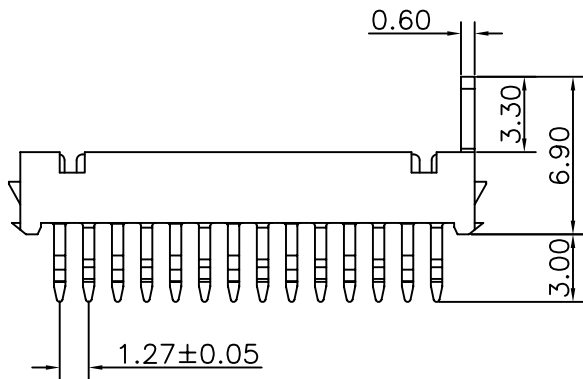
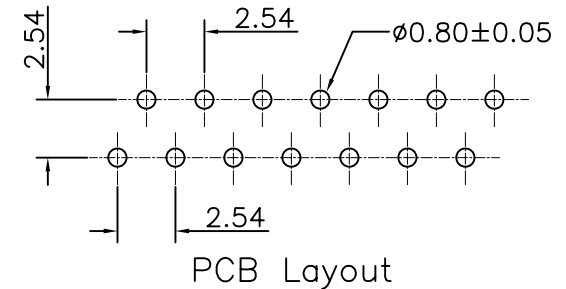


Specifications:
 Current Rating:1.0A AC/DC
 Voltage Rating:30V AC/DC
 Contact Resistance:20m ohm. Max.
 Insulation Resistance:1000M ohm. Min.
 Withstanding Voltage:AC 500V AC/minute
 Operating Temperature Range:-40°C ~ +105°C
 Material and Finish
 Insulator:High Temp. Plastic (UL94V-0)
 Contact material:Phosphor Bronze
 Finish:Tin Plated



MIM-BD-xx-LF
 LEADFREE
 RoHS Compliant

Circuits	Dimension		Circuits	Dimension		Circuits	Dimension	
	A	B		A	B		A	B
4	7.20	2.54	12	17.36	12.70	20	27.52	22.86
6	9.74	5.08	14	19.90	15.24	22	30.06	25.40
8	12.28	7.62	16	22.44	17.78	24	32.60	27.94
10	14.82	10.16	18	24.98	20.32	26	35.14	30.48



MORETHANALL
 CONNECTORS
 ASSEMBLIES

煜倫股份有限公司

PART NO. MIM-BD-xx		CHECKED BY CY		TOLERANCES ARE .X±0.2 .XX±0.1 .XXX± AWG	DESCRIP TION: 2.54mm PCB Connector A Male Type		
DWG NO. MIM-BD-xx		DRAWING BY					
FILE NO.		PROJECTION		AREA	REVISIONS	HK	DATE
UNIT / mm	SCALE 1:1						