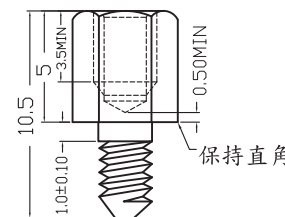
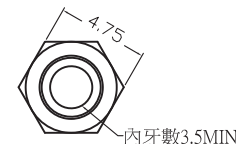
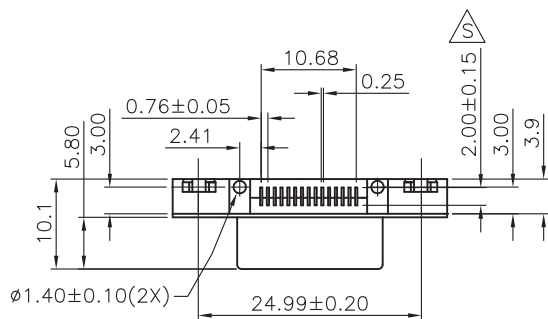
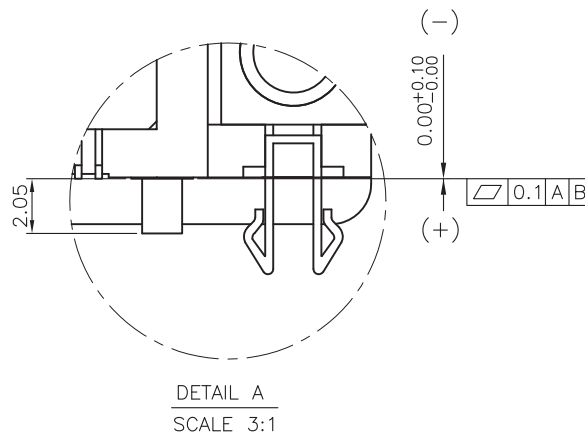
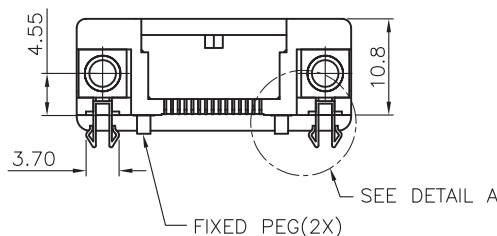


PIN NUMBER:  
6 11 1 7 12 2 8 13 3 9 14 4 10 15 5

RECOMMENDED PCB LAYOUT  
TOLERANCE: ±0.05(TOP VIEW)

NOTES:

- MATERIAL:  
HOUSING:HIGH TEMP THERMOPLASTIC,  
UL94-0,COLOR:BLACK OR BLUE  
TERMINAL:COPPER ALLOY  
METAL SHELL:SPCC  
BOARD LOCK & NUT:COPPER ALLOY
- PLATING:  
TERMINAL:  
CONTACT AREA:SELECTIVE GOLD PLATING  
SOLDER TAIL:TIN(Sn),THICKNESS=100 MICROINCH MIN.(2.54 MICROMETER MIN.)  
UNDER PLATE:NICKEL(Ni),THICKNESS=50 MICROINCH MIN.(1.27 MICROMETER MIN.)  
METAL SHELL:  
NICKEL(Ni),THICKNESS=80 MICROINCH MIN.(2.032 MICROMETER MIN.)  
UNDER PLATE:COPPER(Cu),THICKNESS=40 MICROINCH MIN.(1.016 MICROMETER MIN.)  
BOARD LOCK:TIN(Sn),THICKNESS=50 MICROINCH MIN.(1.27 MICROMETER MIN.)  
NUT:NICKEL(Ni),THICKNESS=50 MICROINCH MIN.(1.27 MICROMETER MIN.)
- RECOMMENDED PCB THICKNESS:1.60±0.05mm
- LEAD FREE & RoHS COMPLIANT PRODUCT



外 4#40 內 4#40

RoHS Compliant

TOLERANCES ARE

**MORETHANALL**  
PCB CONNECTORS  
Cable ASSEMBLIES

DRAWING BY CY

CHECKED BY GENIUS

UNIT/mm

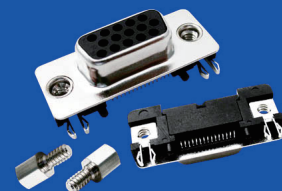
SCALE 1:1

DATE

SIZE A4

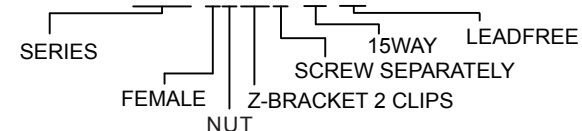
PJECTION

X, ±  
.X ± 0.30  
.XX ± 0.20  
.XXX ± 0.10  
ANG ±



ORDER INFORMATION

HDW-SNZ2H-15-LF



DESCRIPTION: D SUBMINIATURE, R/A, SURFACE-MOUNT  
LOW PROFILE 15 POSITION, FEMALE

煜倫股份有限公司

www.morethanall.com