

MATERIALS:

HOUSING: GLASS FILLED THERMOPLASTIC
BLACK, UL94V-0

CONTACT: BRASS

SHELL: STEEL,
TIN OVER NICKEL PLATED

SPECIFICATIONS:

Voltage rating: 500VAC. R.M.S.

Current rating: 1.5 AMP

Insulation resistance: 1000 Megohms Min.

Contact resistance: 20millohms MAX. (initial)

Durability: 300 cycles

TEMPERATURE RANGE: -20°C to +85°C

RoHS Compliant

TOLERANCES ARE

MORETHANALL
PCB CONNECTORS
Cable ASSEMBLIES

DRAWING BY CY

CHECKED BY GENIUS

UNIT / mm

SCALE 1 : 1

DATE

SIZE A4

X, ±

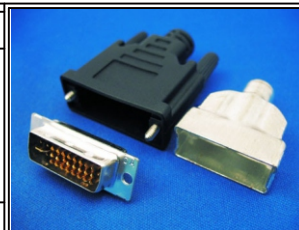
.X, ±

.XX, ±

.XXX, ±

ANG, ±

PPOJECTION



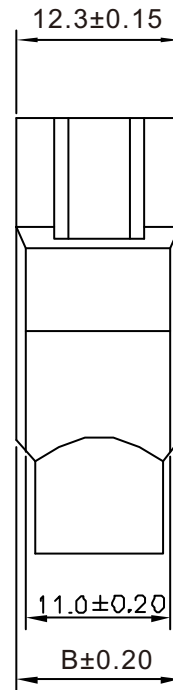
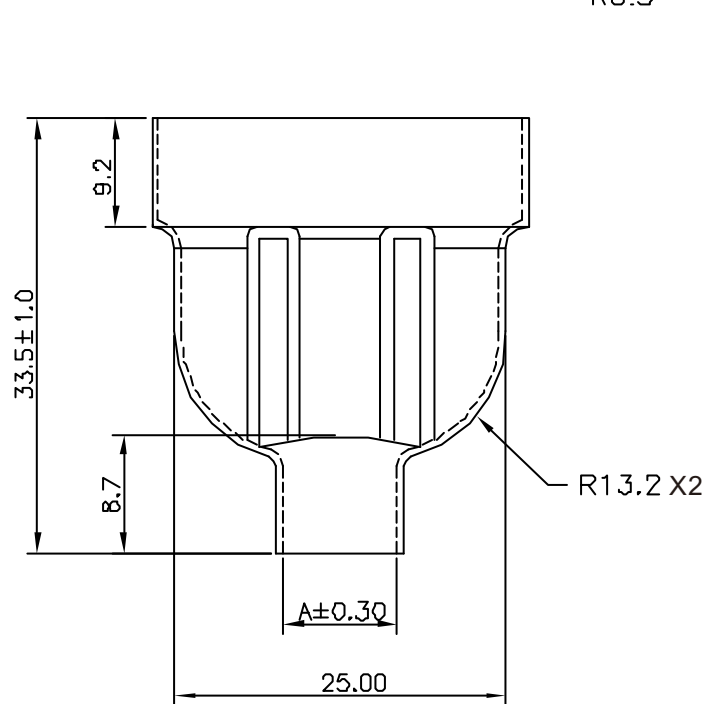
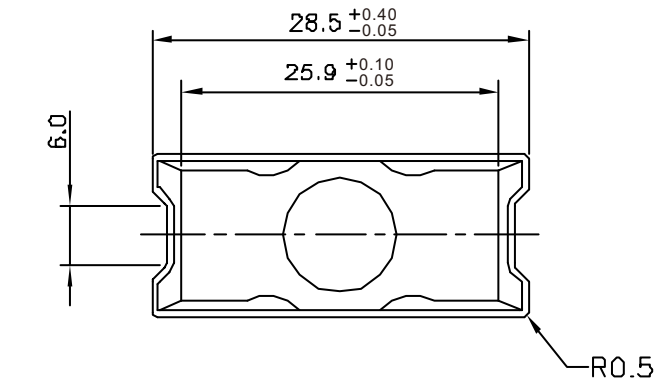
ORDER INFORMATION

DVI-PA1Txx-24+5-LF
SERIES | | | | LEADFREE
MALE | | | | 24+5 PIN
ASSEMBLY | | | | 55:5.5mm/DIAMETER=A
SINGLE PACKINK | | | | A1:11.0mm/DIAMETER=A
THUMBSCREW

DESCRIPTION: DVI SOLDER TYPE MALE 29PIN(24+5) (ANALOG/DIGITAL)

煜倫股份有限公司

www.morethanall.com



NOTE :

1. MATERIAL : SPCC (Fe)
2. THICKNESS : 0.50±0.05m/m
3. FINISH : Cu : 80u"~100u" ,
PURE Tin : 100u"~120u"

OD OPTIONS :

ITEM	(A)DIM	(B)DIM
1	ø6.0	ø11.75
2	ø6.5	ø11.75
3	ø7.0	ø11.75
4	ø7.5	ø11.75
5	ø8.0	ø11.75
6	ø8.5	ø11.75
7	ø9.0	ø11.75
8	ø9.5	ø11.75
9	ø10.0	ø11.75
10	ø11.0	ø12.1
11	ø12.0	ø13.1

RoHS Compliant

TOLERANCES ARE

MORETHANALL
PCB CONNECTORS
Cable ASSEMBLIES

DRAWING BY CY

X. ±

CHECKED BY GENIUS

.X ±

UNIT / mm

SCALE 1 : 1

.XX ±

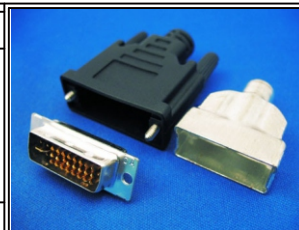
DATE

.XXX ±

ANG ±

SIZE A4

PPOJECTION



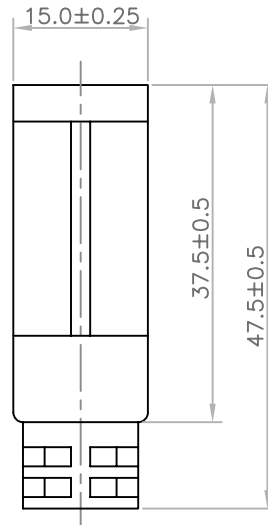
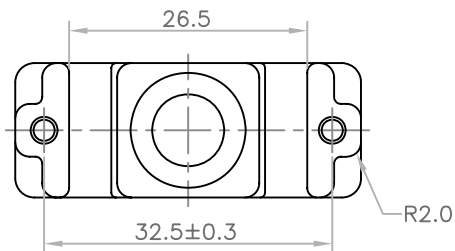
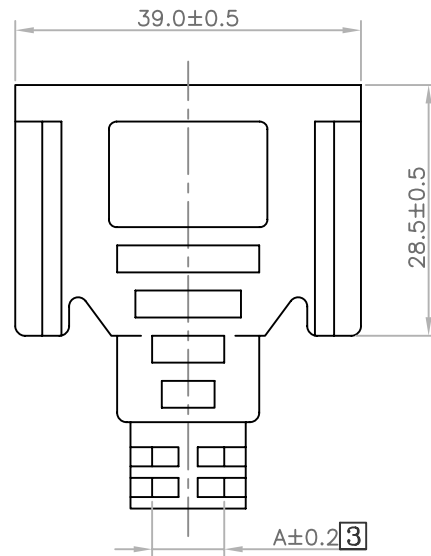
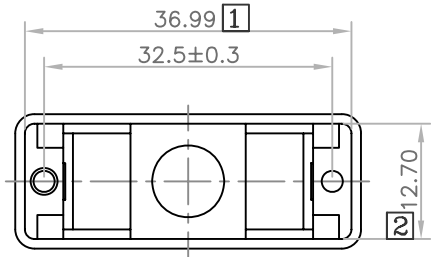
ORDER INFORMATION

DVI-PA1Txx-24+5-LF
 SERIES | | | | LEADFREE
 MALE | | | | 24+5 PIN
 ASSEMBLY | | | | 55:5.5mm/DIAMETER=A
 SINGLE PACKING | | | | A1:11.0mm/DIAMETER=A
 THUMBSCREW

煜倫股份有限公司

www.morethanall.com

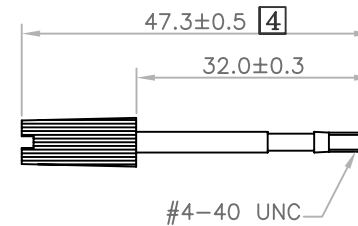
DESCRIPTION: DVI SHIELDED PLUG



NOTE:

MATERIAL: PVC

A=∅5.5,∅6.0,∅6.5,∅7.0,∅7.5,∅7.8,∅8.5,
∅9.0,∅9.5,∅10.0,∅11.0



SCREW 2 PCS

RoHS Compliant

TOLERANCES ARE

MORETHANALL
PCB CONNECTORS
Cable ASSEMBLIES

煜倫股份有限公司

www.morethanall.com

DRAWING BY CY

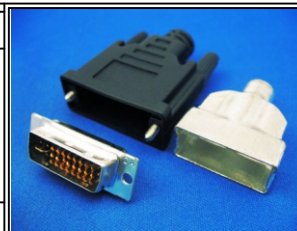
CHECKED BY GENIUS

UNIT / mm SCALE 1 : 1

DATE

SIZE A4 PPROJECTION

X, ±
.X ±
.XX ±
.XXX ±
ANG ±



ORDER INFORMATION

DVI-PA1Txx-24+5-LF
SERIES | MALE | ASSEMBLY | SINGLE PACKING | LEADFREE | 24+5 PIN | 55:5.5mm/DIAMETER=A | A1:11.0mm/DIAMETER=A | THUMBSCREW

DESCRIPTION: