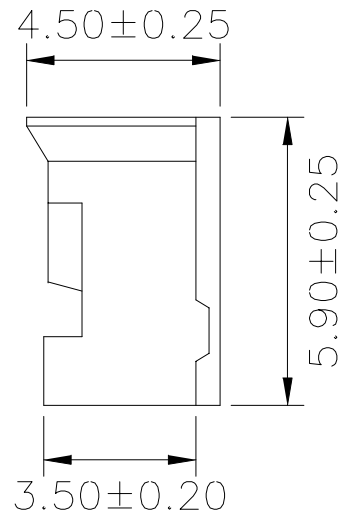
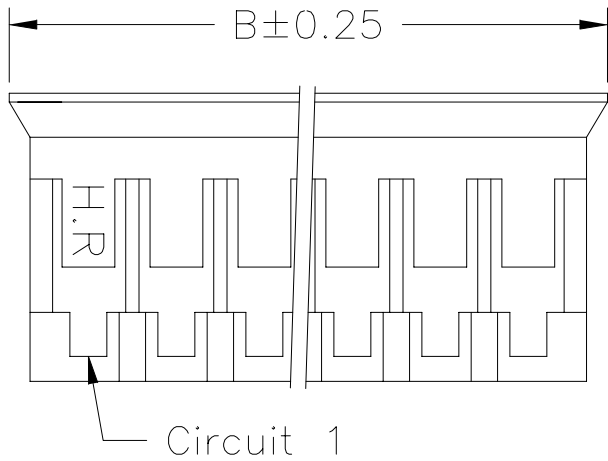
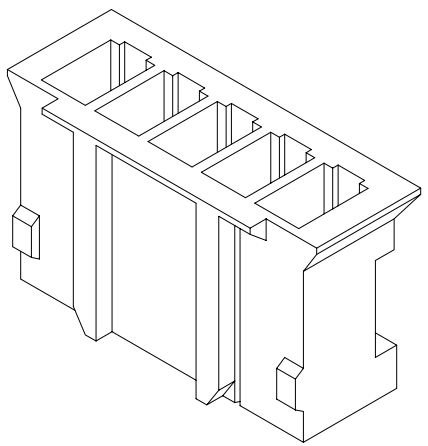
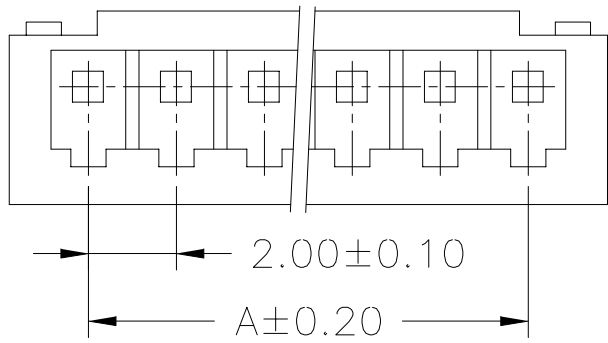


1 2 3 4 5 6 7 8 9 0

J
I
H
G
F
E
D
C
B
A



SPECIFICATIONS

Current Rating: 1A AC,DC
 Voltage Rating: 100V AC,DC
 Temperature Range: -25°C ~ +85°C
 Contact Resistance: 20mΩ Max
 Insulation Resistance: 1000MΩ Min
 Withstanding Voltage: 800V AC/minute
 Material: Nylon 66,UL94V-0

Ordering Information & Dimensions

PART NO.	Dimensions	
	A	B
ILS-H-02	2.00	5.60
ILS-H-03	4.00	7.60
ILS-H-04	6.00	9.60
ILS-H-05	8.00	11.60
ILS-H-06	10.00	13.60
ILS-H-07	12.00	15.60
ILS-H-08	14.00	17.60
ILS-H-09	16.00	19.60
ILS-H-10	18.00	21.60
ILS-H-11	20.00	23.60
ILS-H-12	22.00	25.60
ILS-H-13	24.00	27.60
ILS-H-14	26.00	29.60
ILS-H-15	28.00	31.60



PART NO. **ILS-H-xx**
 DWG NO. **ILS-H-xx**
 FILE NO.
 UNIT / mm SCALE 1:1

CHECKED BY CY
 DRAWING BY
 PROJECTION

TOLERANCES ARE
 .X±0.2
 .XX±
 .XXX±
 AWG

DESCRIPTION: **2.00mm PITCH HOUSING**
 AREA REVISIONS HK DATE

煜倫股份有限公司