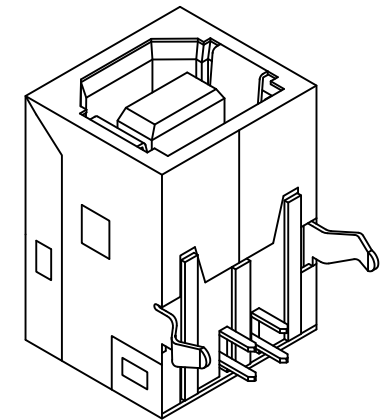
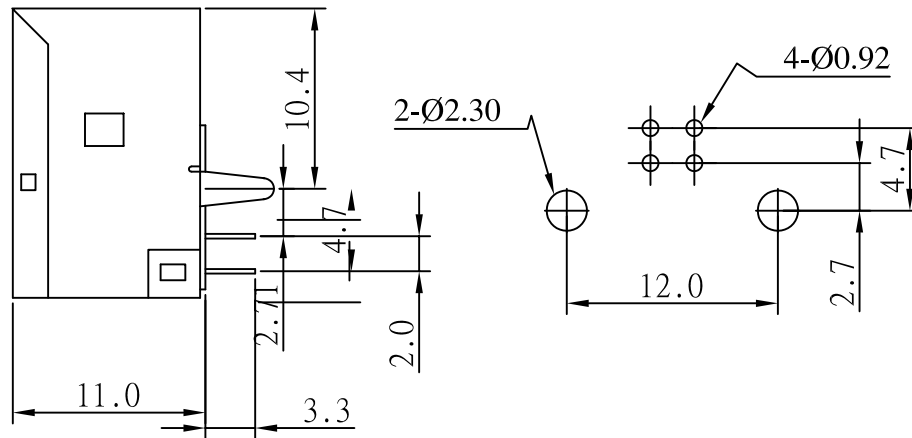
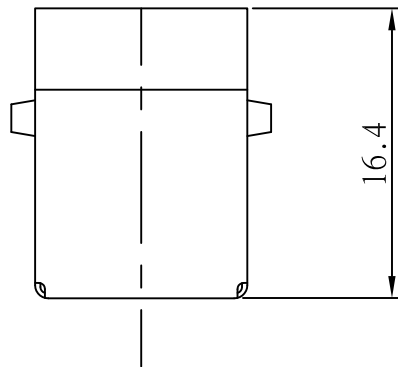


### SPECIFICATIONS

Current Rating 1 Amp  
 Insulator resistance 5000 Megohms min .  
 500v DC for 1 minutes.  
 Contact resistance 20 m ohm Max.  
 Dielectric withstanding AC 500 v for 1 minutes.  
 Operating Temperature -40°C ~ 105°C  
 Contact Material Phosphor bronze  
 insulator Material Polyester, UL 94v-0  
 standard NYLON 6T



**RoHS Compliant**

TOLERANCES ARE

**MORETHANALL**  
 PCB CONNECTORS  
 Cable ASSEMBLIES

DRAWING BY CY

CHECKED BY GENIUS

UNIT / mm

SCALE 1 : 1

DATE

SIZE A4

X, ±  
 X, ±  
 .XX ±  
 .XXX ±  
 ANG ±

P PROJECTION



**ORDER INFORMATION**

USB-SRxx-4B-LF  
 SERIES | LEADFREE  
 | 4 PIN B TYPE  
 | BK:BLACK  
 | WH:WHITE  
 | DIP 90°  
 FEMALE

煜倫股份有限公司

www.morethanall.com

DESCRIPTION: