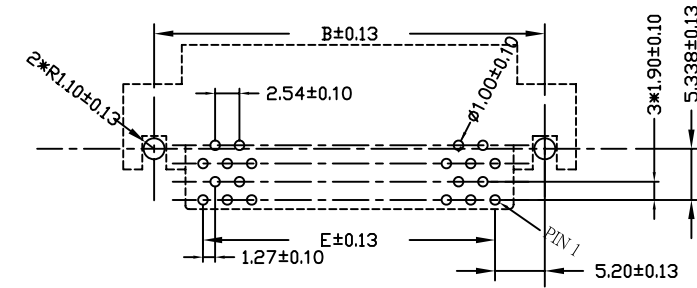
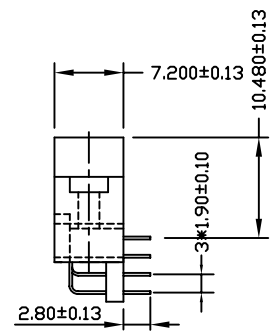
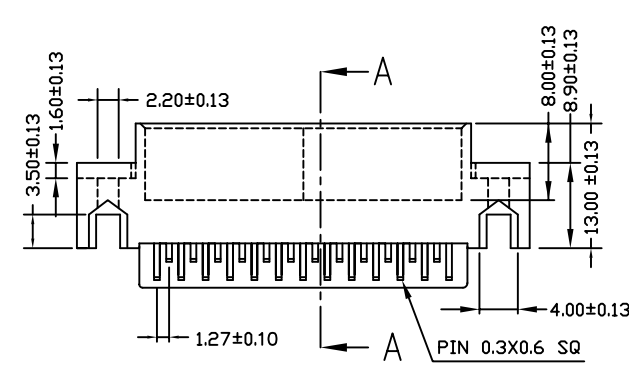
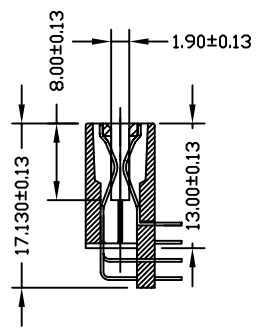


**MATERIAL**  
 INSULATOR: GLASS-REINFORCED THERMOPLASTIC.  
 CONTACT: COPPER ALLOY.  
 PLATING: MATING AREA - GOLD FLASH GOLD OVER NICKEL.  
 SOLDER AREA - TIN OVER NICKEL.

**ELECTRICAL**  
 VOLTAGE RATING: 250 VAC RMS.  
 CURRENT RATING: 1 AMP.  
 DIELECTRIC WITHSTANDING VOLTAGE: 500 VAC RMS 60Hz  
 FOR 1 MINUTE.  
 INSULATION RESISTANCE: 1000 MEGOHMS MIN AT 500 VDC.  
 CONTACT RESISTANCE: 30 MILLIOHMS MAX.  
 SOLDERABILITY: 260°C ±5°C/10sec±1sec

**MECHANICAL**  
 RETENTION FORCE: 460 GRAMS MIN PER CONTACT.  
 INSERTION FORCE: 230 GRAMS MAX PER CONTACT PAIR.  
 WITHDRAWAL FORCE: 15 GRAMS MIN PER CONTACT PAIR.

**ENVIRONMENTAL**  
 TEMPERATURE RANGE: -55°C TO +85°C.



RECOMMENDED PCB LAYOUT (TOP VIEW)

PIN	DIMENSION					PIN	DIMENSION				
	A	B	C	D	E		A	B	C	D	E
10	21.85	15.35	9.60	7.62	5.08	56	51.06	44.56	38.81	36.83	34.29
12	23.12	16.62	10.87	8.89	6.35	60	53.60	47.10	41.35	39.37	36.83
18	26.93	20.43	14.68	12.70	10.16	62	54.87	48.37	42.62	40.64	38.10
20	28.20	21.70	15.95	13.97	11.43	64	56.14	49.64	43.89	41.91	39.37
22	29.47	22.97	17.22	15.24	12.70	68	58.68	52.18	46.43	44.45	41.91
28	33.28	26.78	21.03	19.05	16.51	70	59.95	53.45	47.70	45.72	43.18
30	34.55	28.05	22.30	20.32	17.78	72	61.22	54.72	48.97	46.99	44.45
32	35.82	29.32	23.57	21.59	19.05	80	66.30	59.80	54.05	52.07	49.53
34	37.09	30.59	24.84	22.86	20.32	90	72.65	66.15	60.40	58.42	55.88
36	38.36	31.86	26.11	24.13	21.59	98	77.73	71.23	65.48	63.50	60.96
38	39.63	33.13	27.38	25.40	22.86	100	79.00	72.50	66.75	64.77	62.23
40	40.90	34.40	28.65	26.67	24.13	110	85.35	78.85	73.10	71.12	68.58
42	42.17	35.67	29.92	27.94	25.40	112	86.62	80.12	74.37	72.39	69.53
44	43.44	36.94	31.19	29.21	26.67	120	91.70	85.20	79.45	77.47	74.93
46	44.71	38.21	32.46	30.48	27.94	124	94.24	87.74	81.99	80.01	77.47
48	45.98	39.48	33.73	31.75	29.21	164	119.64	113.14	107.39	105.41	102.87
50	47.25	40.75	35.00	33.02	30.48	184	132.34	125.84	120.09	118.11	115.57

**MORETHANALL**  
 CONNECTORS  
 ASSEMBLIES

PART NO. HES-RE-xxx  
 DWG NO. HES-RE-xxx  
 FILE NO.  
 UNIT / mm SCALE 1:1

CHECKED BY CY LEE  
 DRAWING BY GENIUS  
 PROJECTION

TOLERANCES ARE  
 .X ± 0.2  
 .XX ±  
 .XXX ±  
 AWG

DESCRIP TION: Pitch 1.27mm Card edge 40 Pin DIP( 1/2 ) Drawing  
 AREA REVISIONS HK DATE 19/09/2006

煜倫股份有限公司

1 2 3 4 5 6 7 8 9 0

J

I

H

G

F

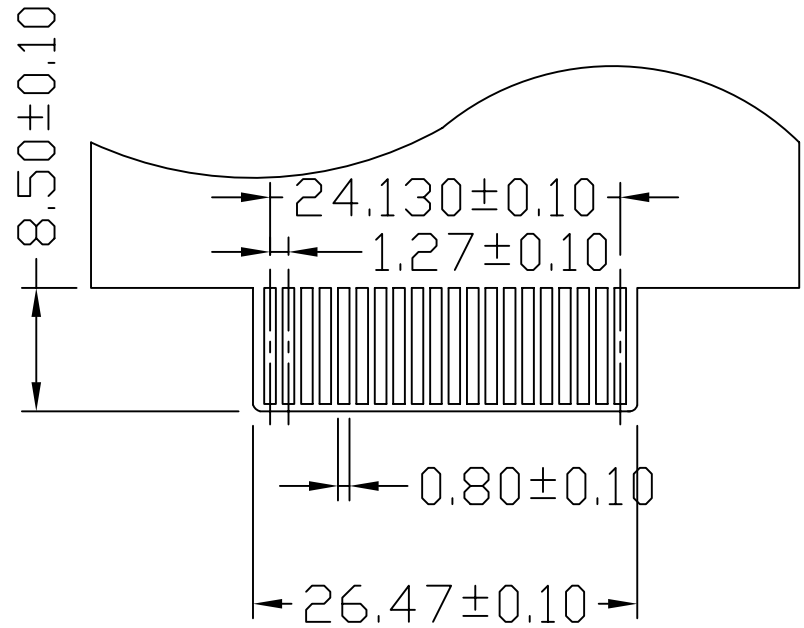
E

D

C

B

A



**MORETHANALL**  
CONNECTORS  
ASSEMBLIES

PART NO. HES-RE-xxx

DWG NO. HES-RE-xxx

FILE NO.

CHECKED BY CY LEE

DRAWING BY GENIUS

TOLERANCES ARE  
.X ± 0.2  
.XX ±  
.XXX ±  
AWG

DESCRIPTION: Pitch 1.27mm Card edge 40 Pin DIP( 2/2 ) Drawing

焯倫股份有限公司

UNIT / mm

SCALE 1:1

PROJECTION

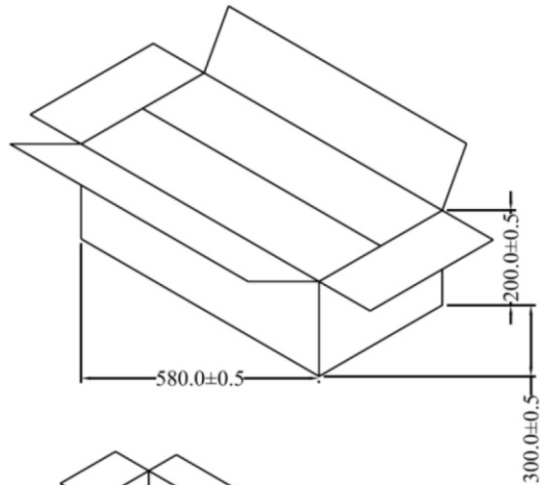
AREA

REVISIONS

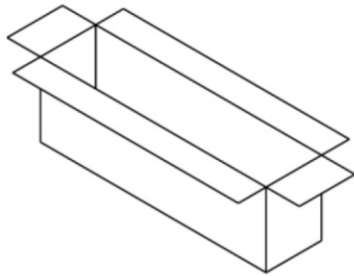
HK

DATE

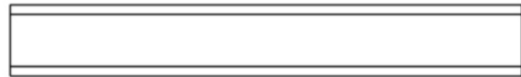
19/09/2006



**CON/2BOXES/132TUBE/1584PCS**  
**NW. 13.00KGS GW. 14.00KGS**



**BOX/66TUBE /792PCS**



**TUBE /12PCS / HES-RE-040-LF**

**RoHS Compliant**

**MORETHANALL**  
 CONNECTORS  
 ASSEMBLIES

PART NO. **HES-RE-xxx**

DWG NO. **HES-RE-xxx**

CHECKED BY **CY LEE**

TOLERANCES ARE

DESCRIP TION: **PITCH 1.27mm CARD EDGE 40 PIN DIP PACKING**

FILE NO.

DRAWING BY **GENIUS**

.X ± 0.2  
 .XX ±  
 .XXX ±  
 AWG

AREA

REVISIONS

HK

DATE

**19/09/2006**

**煜倫股份有限公司**

UNIT / mm

SCALE 1:1

PROJECTION



1 2 3 4 5 6 7 8 9 0

J

I

H

G

F

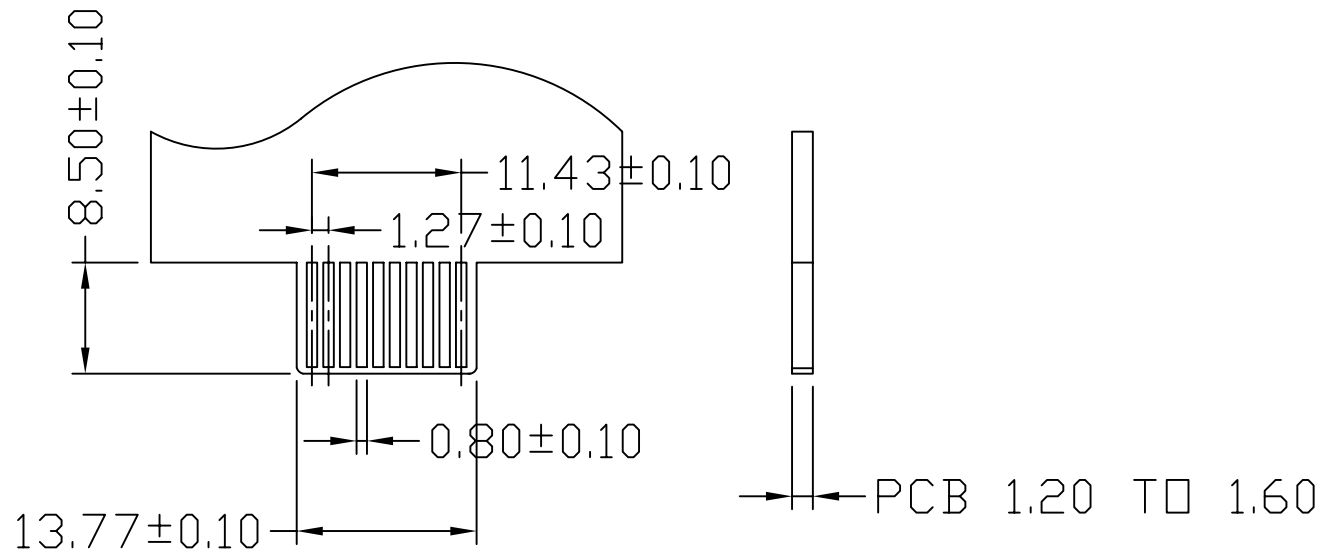
E

D

C

B

A



PCB LAYOUT

**MORETHANALL**  
CONNECTORS  
ASSEMBLIES

PART NO. HES-RE-020

DWG NO. HES-RE-020

FILE NO.

CHECKED BY GENUS

DRAWING BY CYLEE

TOLERANCES ARE

.X  $\pm$  0.2  
.XX  $\pm$   
.XXX  $\pm$   
AWG

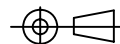
DESCRIPTION:

焜倫股份有限公司

UNIT / mm

SCALE 1:1

PROJECTION



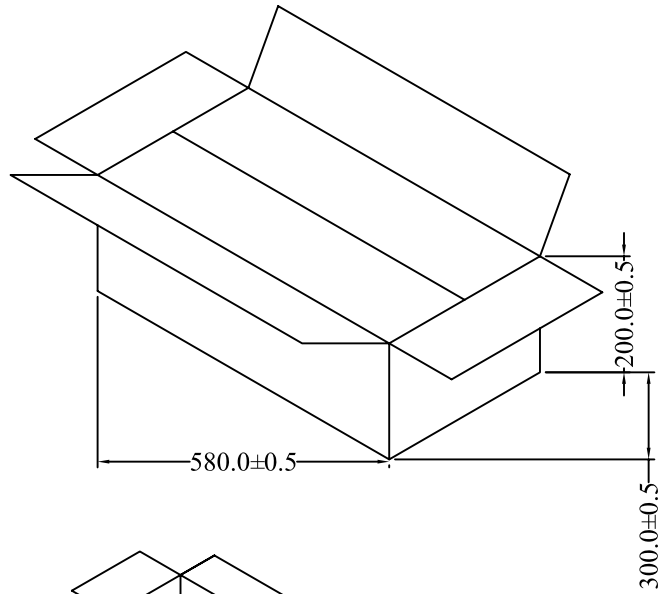
AREA

REVISIONS

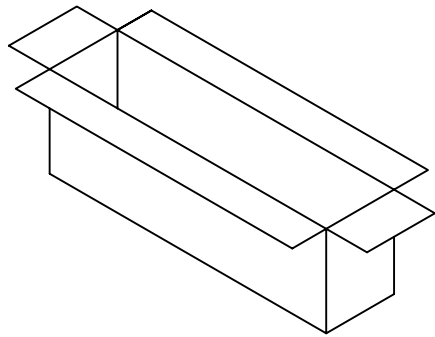
HK

DATE

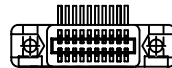
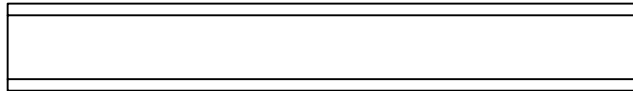
2007/01/20



**CON/2BOXS/132TUBS/2360PCS**  
**NW. 16.00KGS GW. 17.00KGS**



**BOX/66TUB/1180PCS**



**TUB/18PCS**



PART NO. HES-RE-020(PACKING)

DWG NO. HES-RE-020(PACKING)

FILE NO.

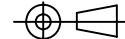
UNIT / mm

SCALE 1:1

CHECKED BY GENUS

DRAWING BY CYLEE

PROJECTION



TOLERANCES ARE

.X ± 0.2

.XX ±

.XXX ±

AWG

DESCRIPTION:

AREA

REVISIONS

HK

DATE

2007/01/20

**焯倫股份有限公司**