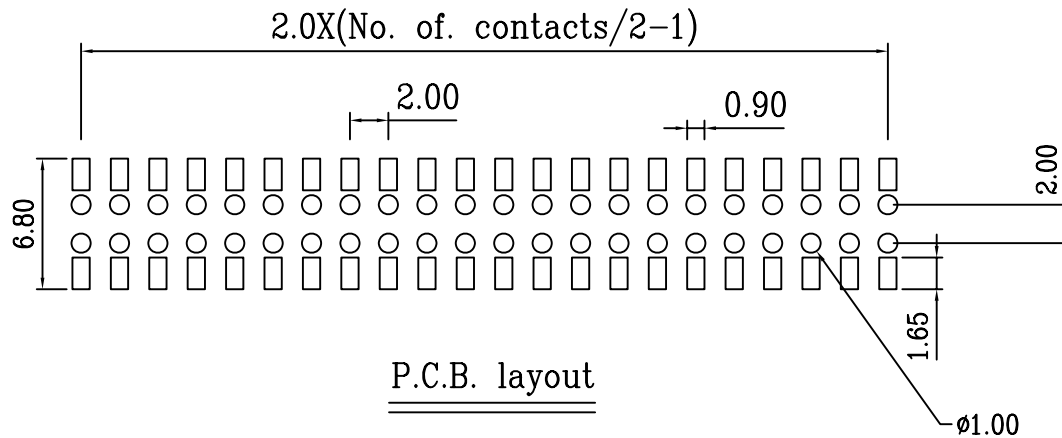
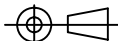


SPECIFICATIONS

- * Current Rating : 1 Amps
- * Insulator resistance: 5000 Megohms min.
- * Dielectric withstanding: AC 500 V
- * Operating Temperature: -40°-+105°C
- * Max Processing Temp: 230° for 30 seconds
(260° for 7 seconds)
- * Contact Material: Phosphor bronze
- * Housing: L.C.P. (UL 94 V-0)

S-Z24X-2Xxx-LF
LEADFREE
RoHS Compliant



PART NO. S-Z24X-2Xxx		CHECKED BY CY		TOLERANCES ARE .X ± 0.2 .XX ± .XXX ± AWG	DESCRIPTION: 2.0mm Female Socket h=2.4mm Bottom Entry type	AREA	REVISIONS	HK	DATE
DWG NO. S-Z24X-2Xxx		DRAWING BY							
FILE NO.		PROJECTION 							
UNIT / mm	SCALE 1:1								

焜倫股份有限公司