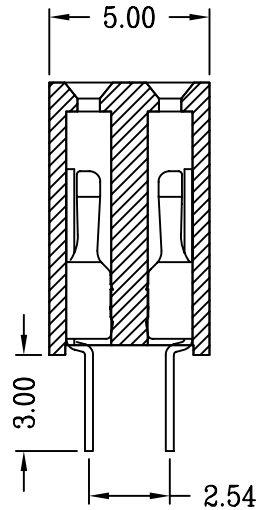
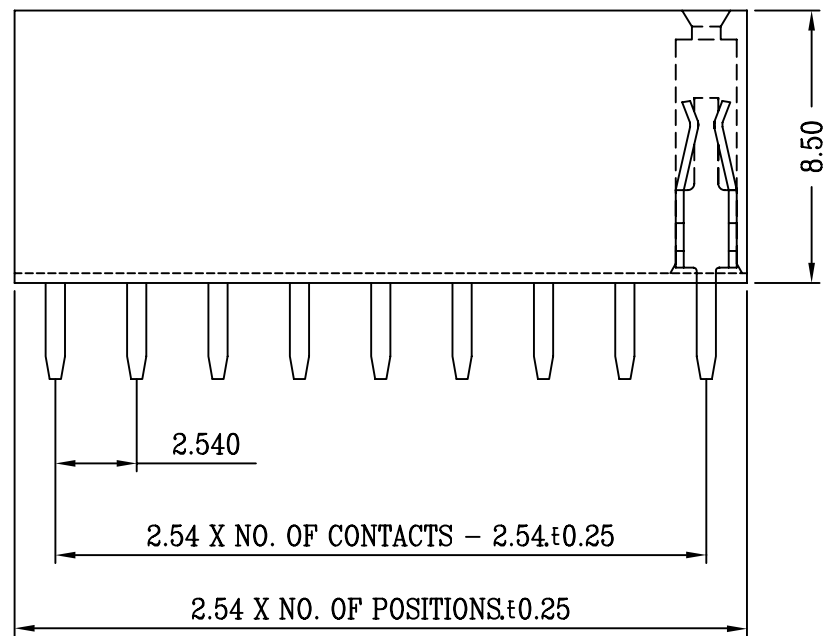
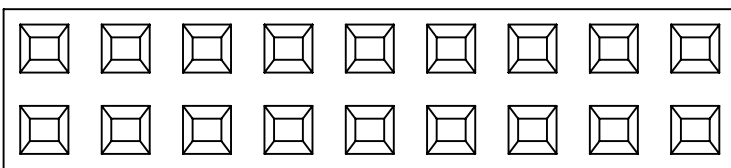


1 2 3 4 5 6 7 8 9 0

J  
I  
H  
G  
F  
E  
D  
C  
B  
A

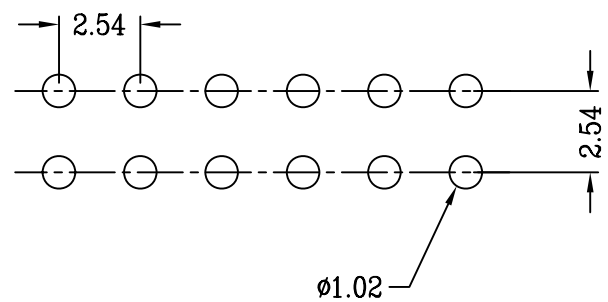


**SPECIFICATIONS**  
 CURRENT RATING: 3 AMP  
 INSULATION RESISTANCE: 1000M OHMS MIN.  
 DIELECTRIC WITHSTANDING: 600V AC/DC  
 CONTACT RESISTANCE: 20m OHMS MAX.  
 OPERATING TEMPERATURE: -25°C ~ +85°C

**MATERIALS**  
 CONTACT MATERIAL: PHOSPHOR BRONZE  
 INSULATION MATERIAL: POLYESTER, UL 94V-0  
 NYLON 6T

F-D85-2Xxx-LF  
 LEADFREE

RoHS Compliant



RECOMMENDED P.C.B LAYOUT



PART NO. F-D85-2Xxx

DWG NO. F-D85-2Xxx

FILE NO.

CHECKED BY CY

DRAWING BY

TOLERANCES ARE  
 .X ± 0.35  
 .XX ± 0.25  
 .XXX ±  
 AWG

DESCRIP TION: 2.54mm Female Socket Dual Row SMD type (H=8.5)

煜倫股份有限公司

UNIT / mm

SCALE 1:1

PROJECTION

AREA

REVISIONS

HK

DATE