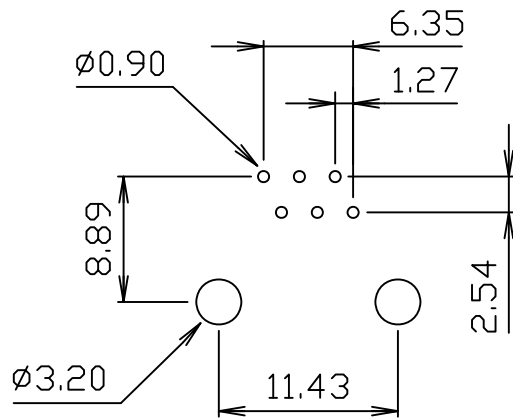
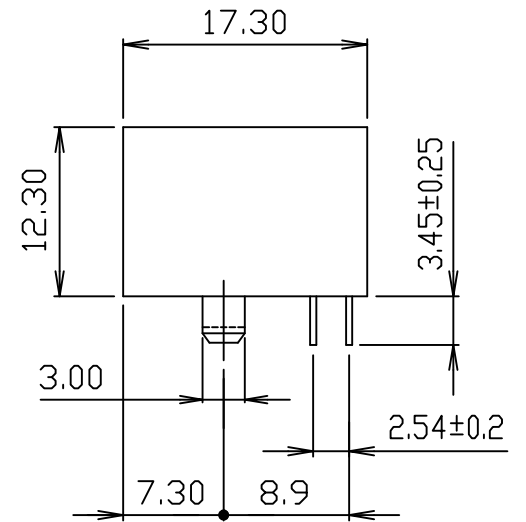
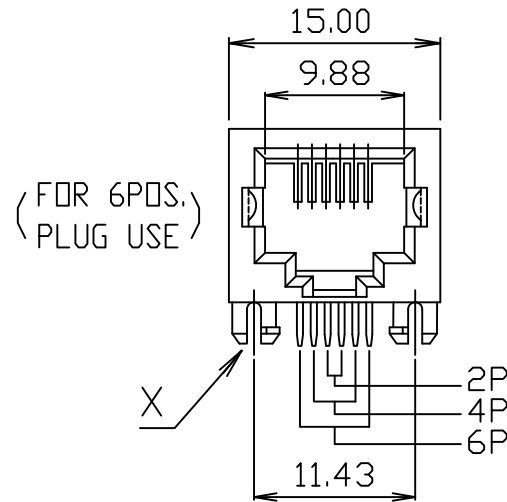


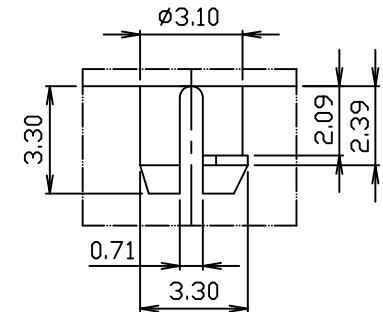
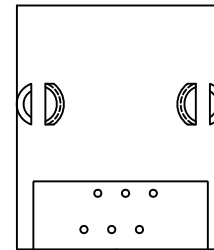
**MATERIALS:**

- HOUSING-PBT POLYESTER UL94V-0 MIXED GLASS FIBER. STANDARD COLOR-BLACK
- CONTACTS-0.45mm DIA. ROUND PHOS-BRONZE PLATED WITH HARD GOLD.

CAVITY CONFIRMS TO FCC RULES AND REGULATIONS PART 68,SUBPART F.



PC Board Layout



**DETAIL X**

**RoHS Compliant**

TOLERANCES ARE

**MORETHANALL**  
PCB CONNECTORS  
Cable ASSEMBLIES

煜倫股份有限公司

www.morethanall.com

DRAWING BY CY

CHECKED BY GENIUS

UNIT / mm

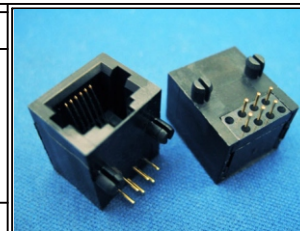
SCALE 1 : 1

DATE

SIZE A4

PJECTION

X, ±  
.X ± 0.25  
.XX ± 0.13  
.XXX ± 0.05  
ANG ±



**ORDER INFORMATION**

MJ12S-KX06WP-0606-LF

SERIES | | | | | | LEADFREE  
6P6C  
WIDE POST  
06u" GOLD  
NON EAR  
BLACK

DESCRIPTION: 6POSITION LOW PROFILE SIDE ENTRY PCB JACK