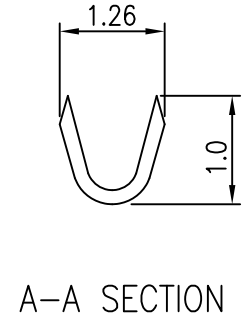
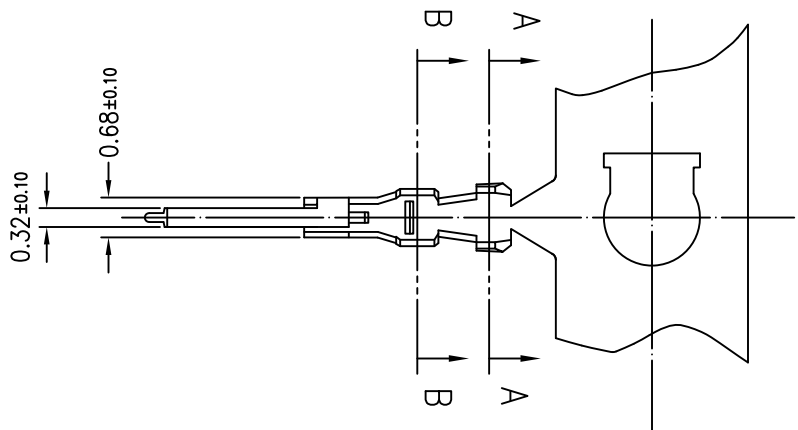


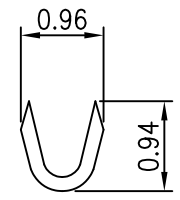
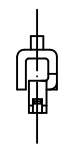
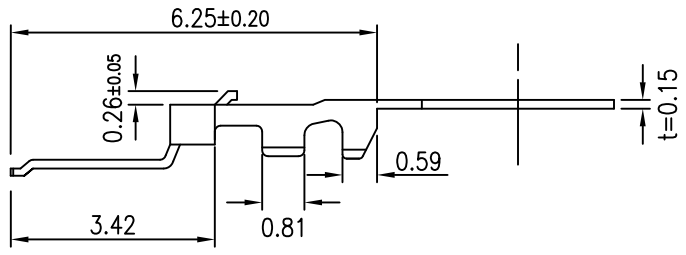
■ **TERMINAL**

- Material: Phos. bronze
- Thickness: 0.15mm
- Plating: Gold plated 4u"
- Wire Range: Suitable for AWG#30~36
- Insulation .ID: $\phi 0.75 \sim 0.27\text{mm}$ (max)
- Q'TY: 15,000 pcs/reel

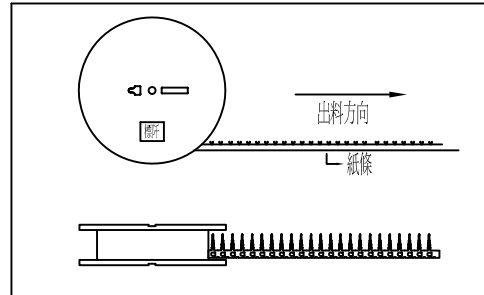
FIR-TA-30-LF
LEADFREE
RoHS Compliant



A-A SECTION



B-B SECTION



MORETHANALL
CONNECTORS
ASSEMBLIES

煜倫股份有限公司

PART NO. FIR-TA-30		CHECKED BY CY		TOLERANCES ARE .X ± 0.2 .XX ± .XXX ± AWG	DESCRIP TION: MINI-CRIMP 0.5mm TERMINAL		
DWG NO. FIR-TA-30		DRAWING BY			AREA	REVISIONS	HK
UNIT / mm	SCALE 1:1	PROJECTION					