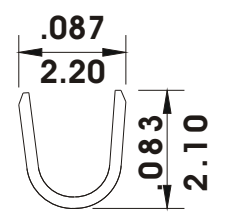
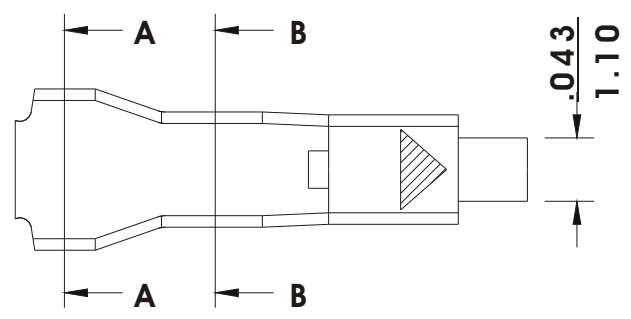


# NH Series Crimp Terminal

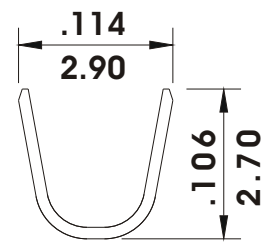
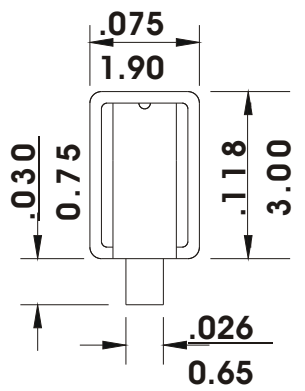
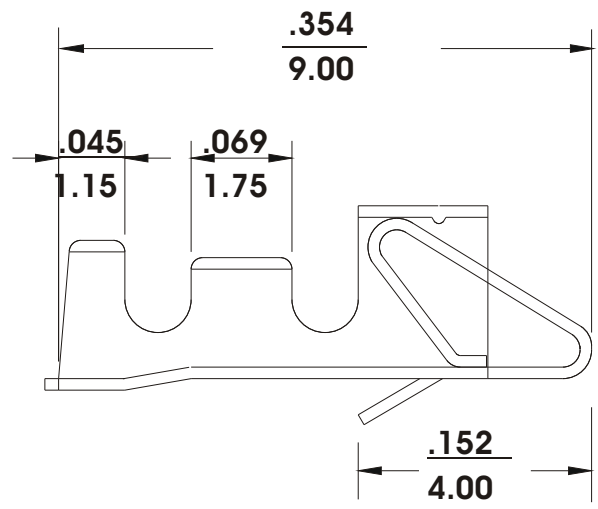
\* Material : Brass

\* Applicable wire : AWG# 28-#22

inch  
mm



B-B



A-A

NH-T-22-LF  
LEADFREE  
RoHS Compliant



PART NO. NH-T-22		CHECKED BY CY		TOLERANCES ARE .X ± 0.2 .XX ± .XXX ± AWG	DESCRIP TION: (2.5mm) Wire-to-Wire Connectors			
DWG NO. NH-T-22		DRAWING BY			AREA	REVISIONS	HK	DATE
FILE NO.		PROJECTION						
UNIT / mm	SCALE 1:1							

煜倫股份有限公司