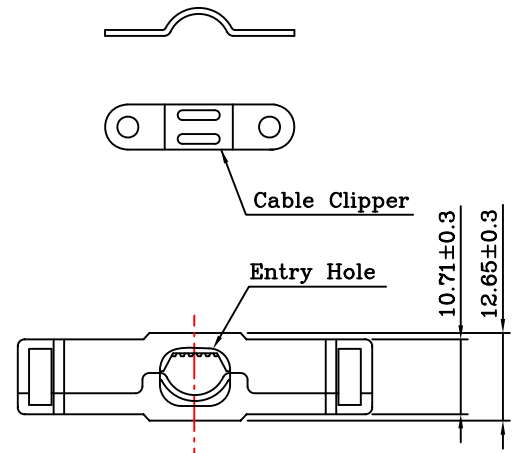
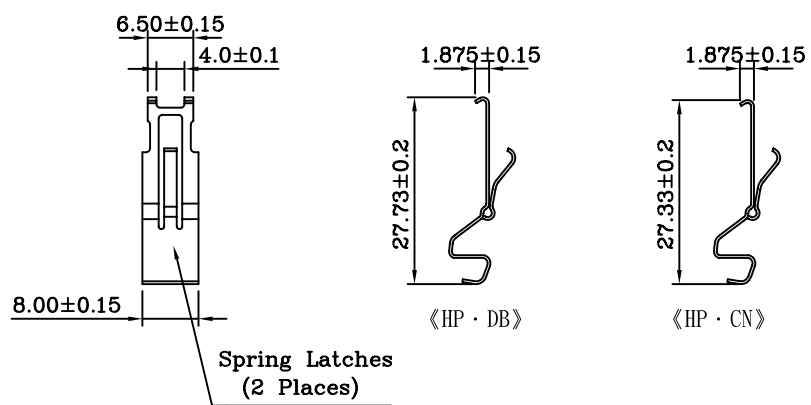


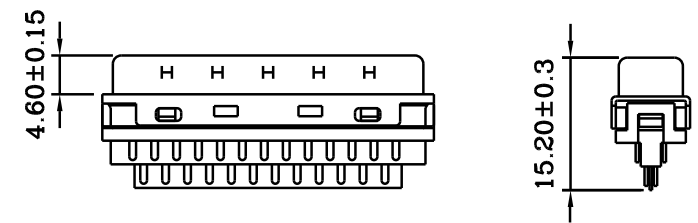
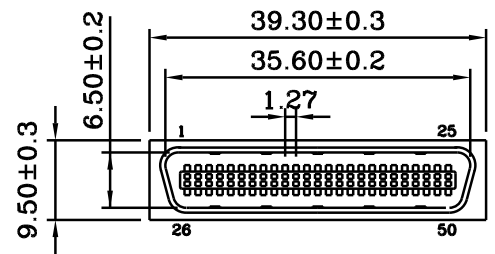
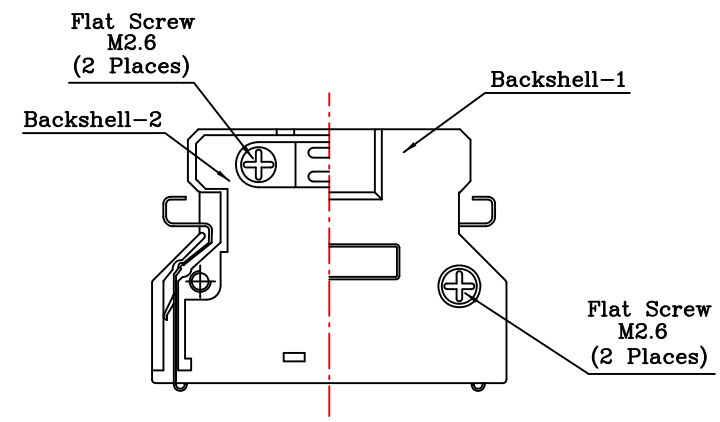
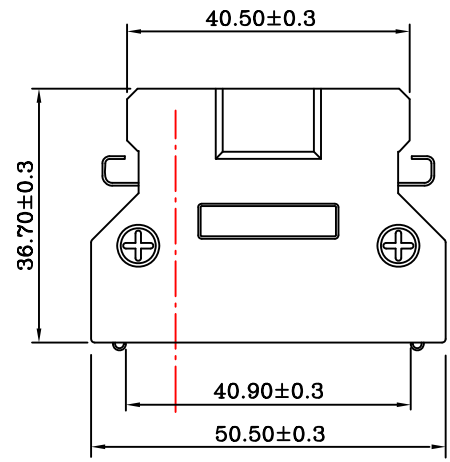
1 2 3 4 5 6 7 8 9 0

J  
I  
H  
G  
F  
E  
D  
C  
B  
A



- FEATURES:**
- Round cable straight exit
  - Strain relief staple with spring latches
  - Backshell desing by Die-Cast
  - Excellent EMI/RFI protection
- MATERIALS:(RoHS Compliant)**
- Backshell: Zinc plated nickel over copper
  - Spring latches: Phosphor Bronze over Nickel
  - Screw: steel nickel plated over copper
  - Cable Clipper: steel nickel plated

HPC-PSW-050-LF  
LEADFREE  
RoHS Compliant



PART NO. HPC-PSW-050

DWG NO. HPC-PSW-050

CHECKED BY CY

TOLERANCES ARE

FILE NO.

DRAWING BY

.X ± 0.2

DESCRIP TION:

煜倫股份有限公司

UNIT / mm

SCALE 1:1

PROJECTION

.XX ± 0.1  
.XXX ± AWG

AREA	REVISIONS	HK	DATE
------	-----------	----	------