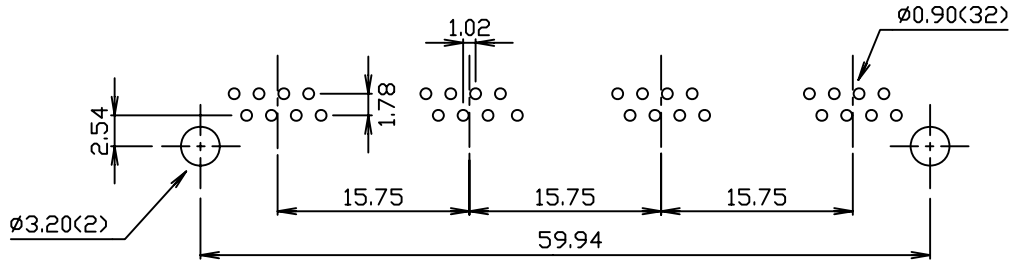
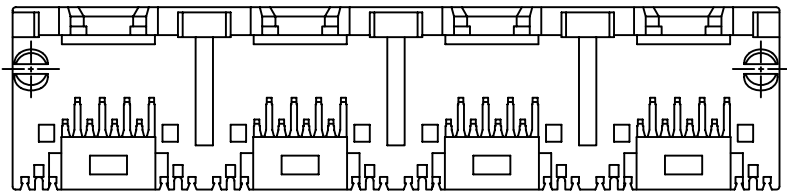
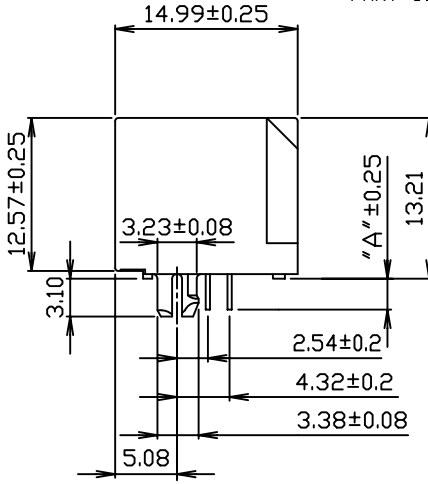
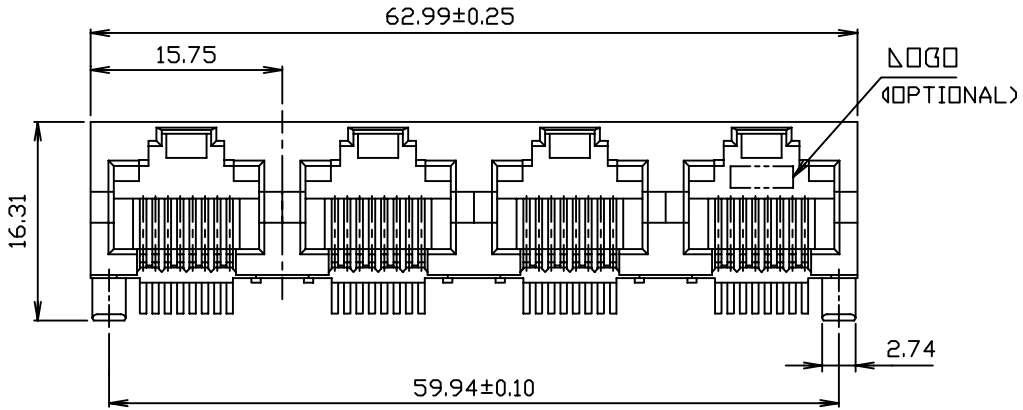


MATERIAL:
 HOUSING-DSM STANYL TE250F6 (NYLON-46)
 HEAT DEFLECTION TEMP.290°
 BLACK COLOR, UL94V-0
 CONTACTS-0.35mm THICK PHOS-BRONZE PLATED
 WITH HARD GOLD AND TIN/LEAD IN
 SOLDER AREA.
 CAVITY CONFIRMS TO FCC RULES AND REGULATIONS
 PART 68,SUBPART F.



PCB LAYOUT

RoHS Compliant

TOLERANCES ARE



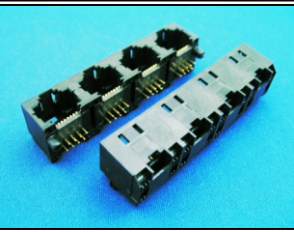
DRAWING BY CY
 CHECKED BY GENIUS
 UNIT / mm SCALE 1 : 1
 DATE

X.±
 .X±
 .XX±
 .XXX±
 ANG±

煜倫股份有限公司

www.morethanall.com

SIZE A4 PROJECTION



ORDER INFORMATION

MJ13UA4-KX06-0808-LF
 SERIES 8P8C LEADFREE
 06u" GOLD
 NON EAR
 BLACK

DESCRIPTION: 4 PORTS 8POSITION SIDE ENTRY PCB GANGED JACK