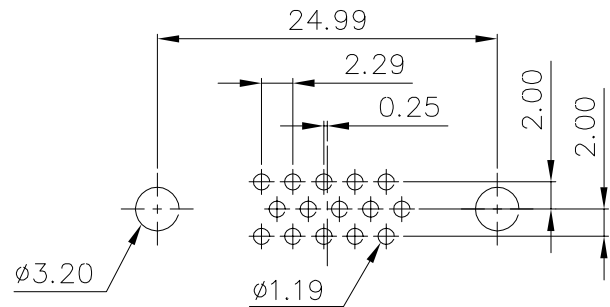
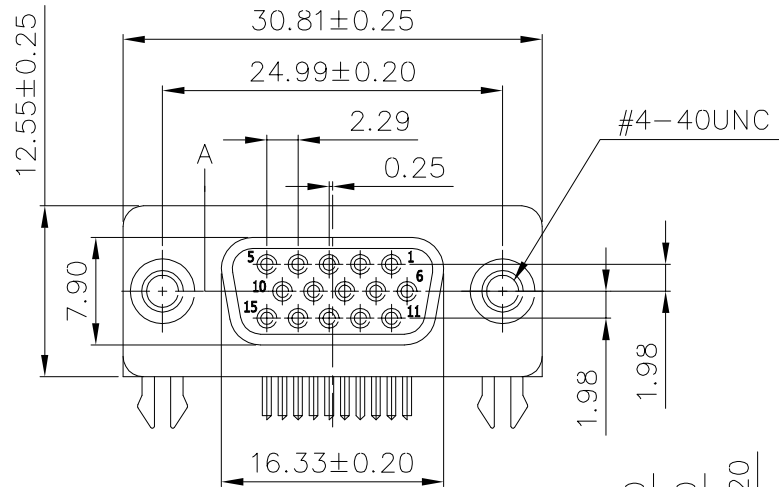


**Material:**

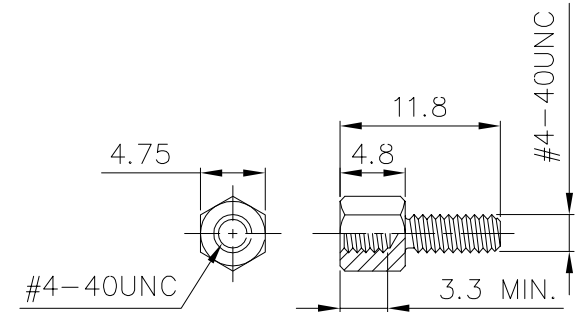
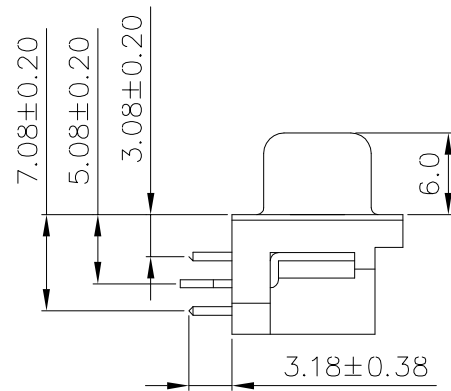
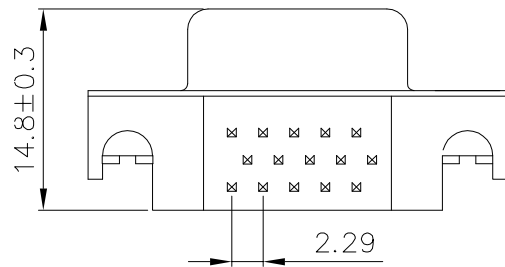
Insulator: PBT+30% Glass Fiber (UL94V-0).  
 Contact: Copper Alloy.  
 Contact Plated: Gold or Tin over Nickel Plated.  
 Shell: Steel with Nickel or Tin or Zinc Plated.

**Specification:**

Current Rating: 5 Amps.  
 Withstanding Voltage: AC 500V for 1 Minute.  
 Insulation Resistance: 1000MΩ Min. at DC 500V.  
 Contact Resistance: 15mΩ Max..  
 Operating Temperature: -40°C ~ +105°C.



RECOMMEND P.C. BOARD LAYOUT



LOCKING SCREW

**RoHS Compliant**

TOLERANCES ARE



煜倫股份有限公司

www.morethanall.com

DRAWING BY CY

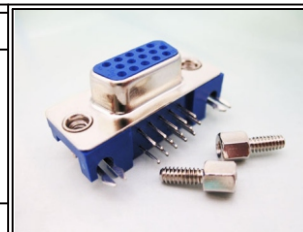
CHECKED BY GENIUS

UNIT / mm SCALE 1 : 1

DATE

SIZE A4 PPROJECTION

X, ±  
 .X ±  
 .XX ±  
 .XXX ±  
 ANG ±



**ORDER INFORMATION**

HDR30-SSNHBL-15-LF

SERIES | | | | LEADFREE  
 FEMALE | | | | 15WAY  
 | | | | BLUE  
 | | | | HEX SCRW  
 | | | | NUT  
 | | | | SEMI GOLD

DESCRIPTION: 15P Hi-Density Female D-Sub Right Angle Connector Footprint 3.08mm Short Pin 9th/Clinch Nut/Screw Lock Type