

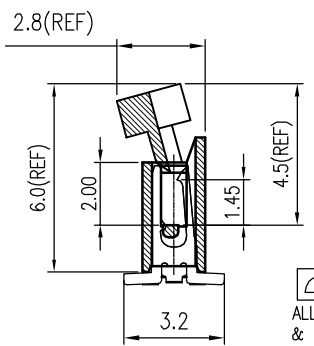
NO. OF CONTACTS
4 PIN~14 PIN

■ MATERIAL

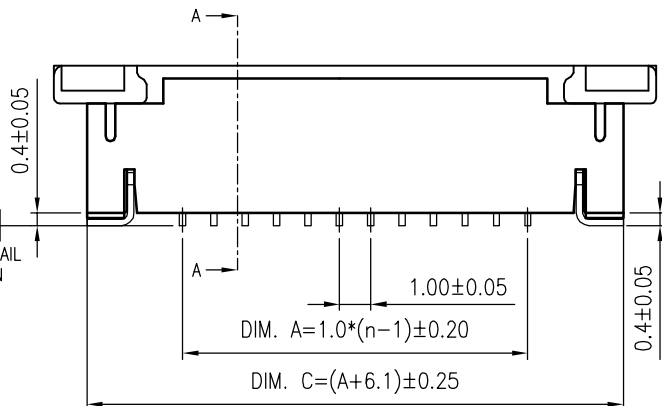
HOUSING: HIGH-TEMP 94V-0, COLOR: NATURAL.
 ACTUATOR: HIGH-TEMP 94V-0, COLOR: BLACK.
 CONTACT: COPPER ALLOY.
 PLATING: ALL TIN, LEAD FREE OR ALL GOLD
 HOLDDOWN: COPPER ALLOY. PLATING: ALL TIN, LEAD FREE.
 CAP: COPPER ALLOY. PLATING: Ni.

■ DIMENSION TABLE

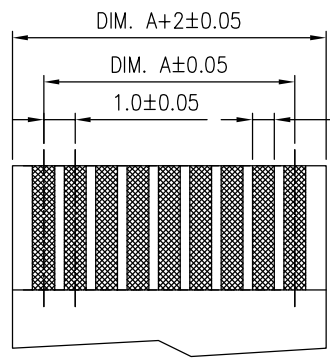
Circuits	Dimension				
	A	B	C	D	E
4	3.00	5.10	9.10	11.20	10.40
5	4.00	6.10	10.10	12.20	11.40
6	5.00	7.10	11.10	13.20	12.40
7	6.00	8.10	12.10	14.20	13.40
8	7.00	9.10	13.10	15.20	14.40
9	8.00	10.10	14.10	16.20	15.40
10	9.00	11.10	15.10	17.20	16.40
11	10.00	12.10	16.10	18.20	17.40
12	11.00	13.10	17.10	19.20	18.40
13	12.00	14.10	18.10	20.20	19.40
14	13.00	15.10	19.10	21.20	20.40



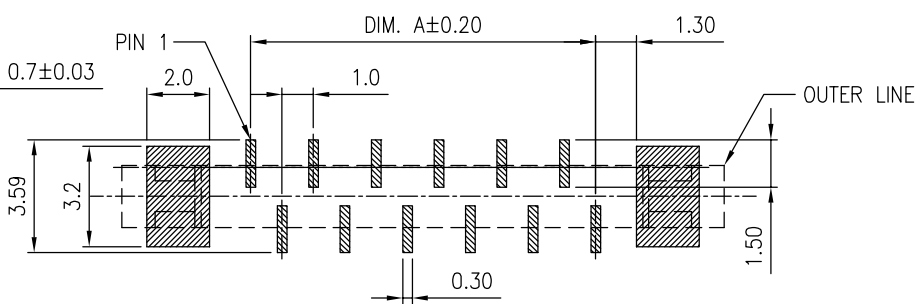
SECTION A-A



RECOMMENDED PCB LAYOUT
TOLERANCE: ±0.05



FFC/FPC DIMENSION
THICKNESS 0.30 ±0.03mm



FPA-VZAR47-xx-LF
LEADFREE
RoHS Compliant

MORE THAN ALL
CONNECTORS
ASSEMBLIES

PART NO. FPA-VZAR47-xx

DWG NO. FPA-VZAR47-xx

FILE NO.

CHECKED BY CY

DRAWING BY

TOLERANCES ARE
.X ± 0.2
.XX ±
.XXX ±
AWG

DESCRIPTION: FPC/FFC 1.0 PITCH CONNECTOR, ZIF SMT TYPE
BODY WIDTH 2.0 mm

煜倫股份有限公司

UNIT / mm

SCALE 1:1

PROJECTION

AREA	REVISIONS	HK	DATE
------	-----------	----	------