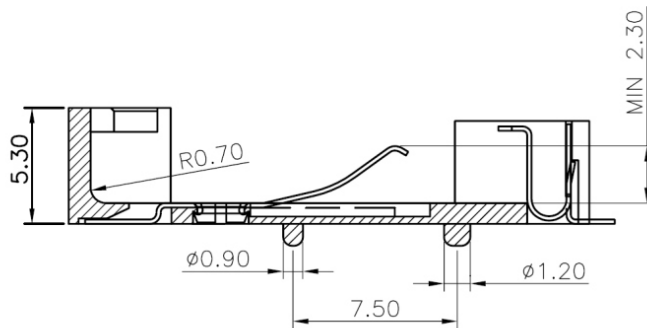


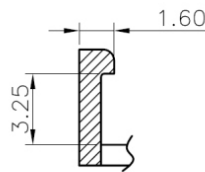
RECOMMENDED PCB LAYOUT

NOTES:

1. DIMENSIONS ARE IN MILLIMETER
2. MATERIAL:
 PLASTIC PART: PPS+30%G.F_BROWN.
 CONTACT: PHOSPHOR BRONZE
3. FINISH:
 CONTACT: GOLD PLATED ALL OVER THE FACE
4. ACCORDING TO THE ENVIRONMENTAL REQUIREMENT,
 WE GUARANTEE THE CONTROLLED HAZARDOUS SUBSTANCES
 MEET RoHS REQUIREMENT.



SECTION A-A



SECTION B-B

MORETHANALL
 PCB CONNECTORS
 Cable ASSEMBLIES

煜倫股份有限公司

www.morethanall.com

RoHS Compliant

DRAWING BY CY

CHECKED BY GENIUS

UNIT / mm SCALE 1 : 1

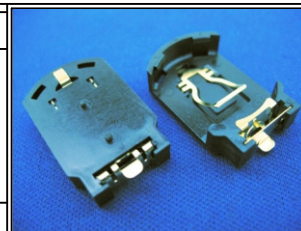
DATE

SIZE A4

TOLERANCES ARE

X. ±
 .X ±
 .XX ±
 .XXX ±
 ANG ±

PPOJECTION



ORDER INFORMATION

BTH-V53P-20-LF
 SERIES | | | LEADFREE
 | | | CR 2032
 | | | POST
 | | | HIGH 5.3mm
 | | | 180°SMT

DESCRIPTION: