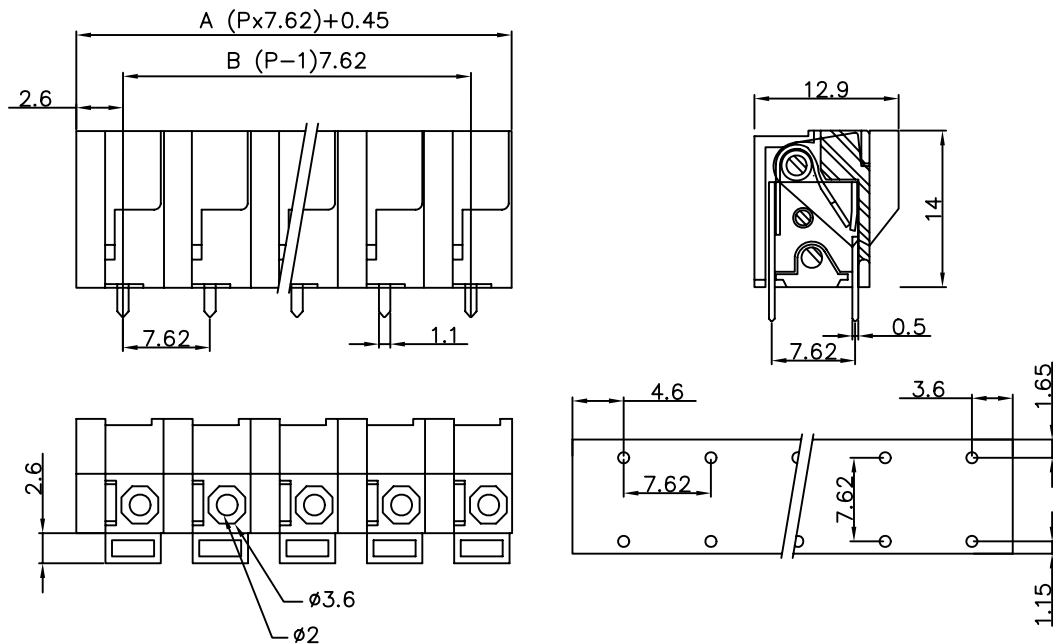


SPECIFICATIONS

BODY MATERIAL: THERMOPLASTIC (UL 94V-0). GREEN
 TERMINALS: TIN PLATED BRASS
 LEVER: THERMOPLASTIC (UL 94V-0). ORANGE
 WIRE RANGE: 18-22 STR
 RATING: 10 AMPERES. 300VAC
 INSULATION WITHSTANDS VOLTAGE AC 2000V
 INSULATION RESISTANCE 500M OR MORE AT DC 500V

TBX076-D13-xx-LF
 LEADFREE

RoHS Compliant



DIMENSION: ±0.5

POLE	2	3	4	5	6	7	8	9	10	11	12	13	14	15	
A	15.69	23.31	30.93	38.55	46.17	53.79	61.41	69.03	76.65	84.27	91.89	99.51	107.13	114.75	
B	7.62	15.24	22.86	30.48	38.1	45.72	53.34	60.96	68.58	76.2	83.82	91.44	99.06	106.68	
POLE	16	17	18	19	20	21	22	23	24	25	26	27	28	29	30
A	122.37	129.99	137.61	145.23	152.85	160.47	168.09	175.71	183.33	190.95	198.57	206.19	213.81	221.43	229.05
B	114.3	121.92	129.54	137.16	144.78	152.4	160.02	167.64	175.26	182.88	190.5	198.12	205.74	213.36	220.98



PART NO. TBX076-D13-xx

DWG NO. TBX076-D13-xx

FILE NO.

UNIT / mm

SCALE 1:1

CHECKED BY CY

DRAWING BY

PROJECTION

TOLERANCES ARE

.X ± 0.2
 .XX ±
 .XXX ±
 AWG

DESCRIPTION:

EURO TYPE TERMINAL BLOCK

AREA

REVISIONS

HK

DATE

焯倫股份有限公司