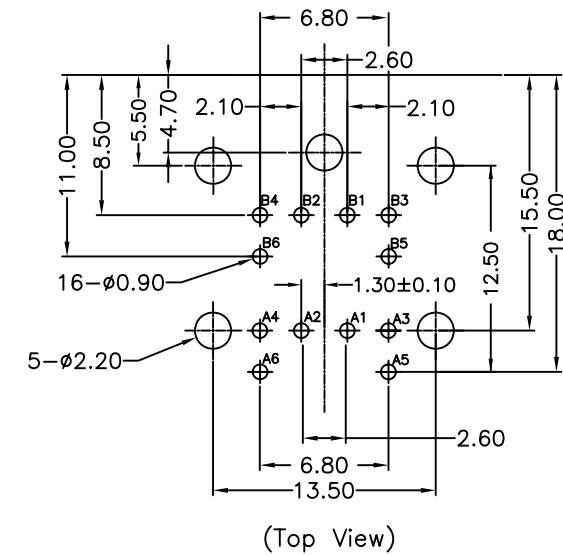
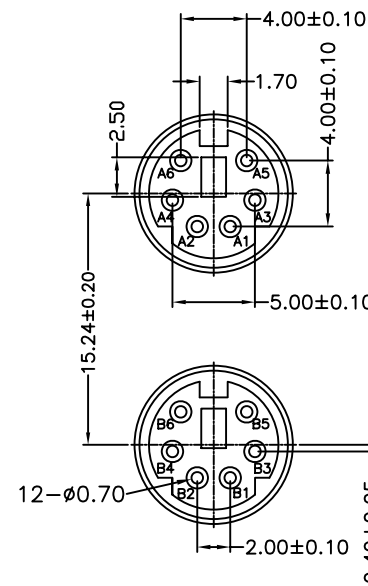
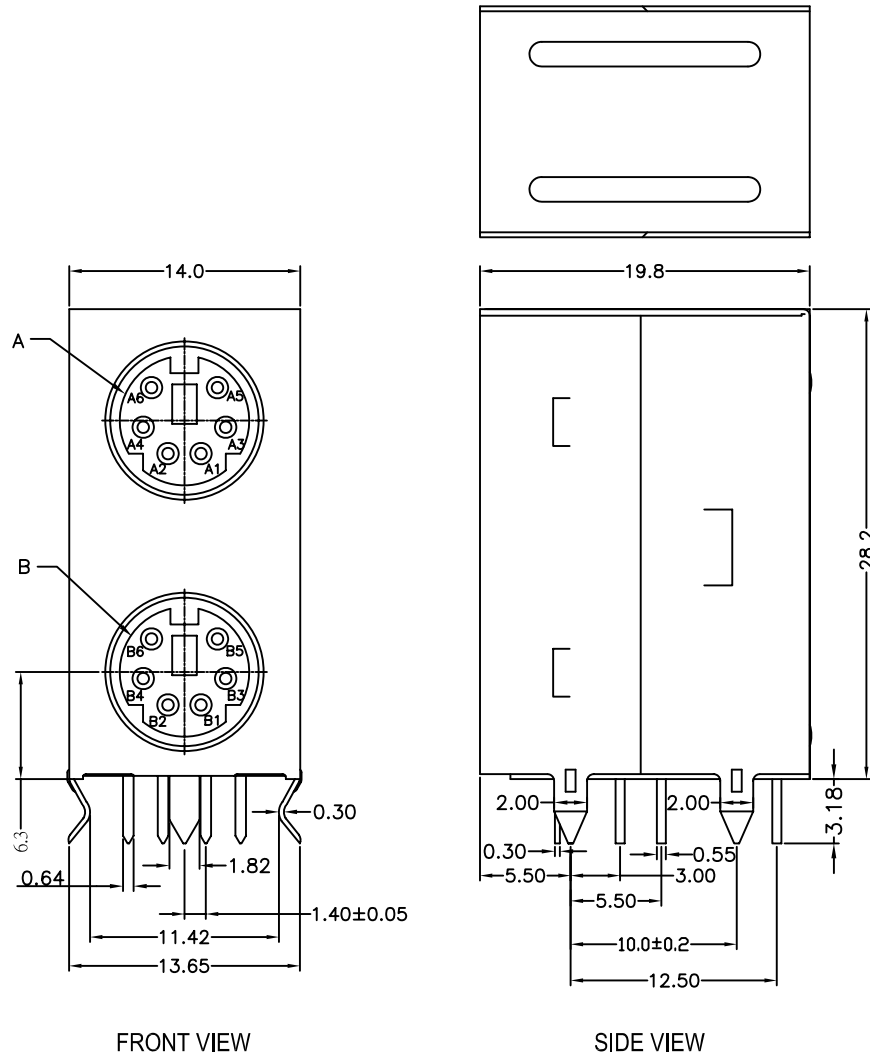


MATERIAL
 INSULATOR: PBT UL94V-0
 CONTACT: Phosphor Bronze, Gold/Tin plated
 SHELL: Brass(0.3T), TIN PLATED
 ENVIRONMENTAL
 OPERATING TEMPERATURE: -55~+105°
 ELECTRICAL
 CONTACT CURRENT RATING: 1 Amp
 DIELECTRIC WITHSTANDING : AC 1000V min. Per minute
 INSULATION RESISTANCE: 500MΩ min.at 500V DC
 CONTACT RESISTANCE: 30mΩ Max

Part No.	A COLOR	B COLOR	SHELL PLATING
MDJB1-F99-06	GREEN	PURPLE	TIN PLATED



RoHS Compliant

TOLERANCES ARE

MORETHANALL
 PCB CONNECTORS
 Cable ASSEMBLIES

DRAWING BY CY

X.±

CHECKED BY GENIUS

.X±

UNIT / mm

SCALE 1 : 1

.XX±

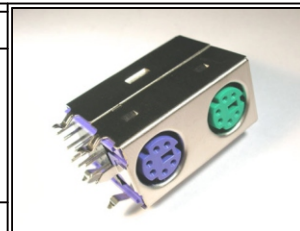
DATE

.XXX±

ANG±

SIZE A4

PJECTION



ORDER INFORMATION

MDJB1-F99-06-LF

SERIES

LEADFREE

06 WAY

PC99

FEMALE

煜倫股份有限公司

www.morethanall.com

DESCRIPTION: 迷你雙層6P母半金綠+紫 鐵殼不加彈 鍍錫 無麥