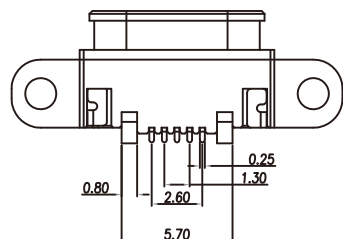
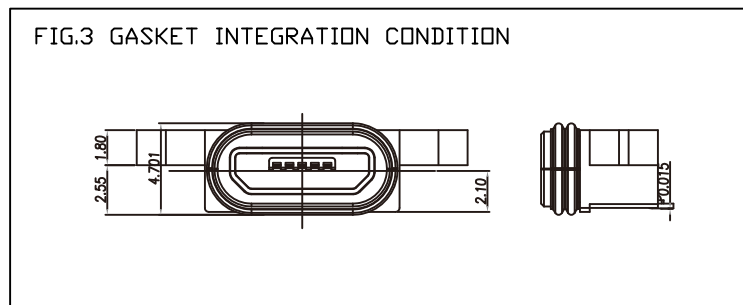
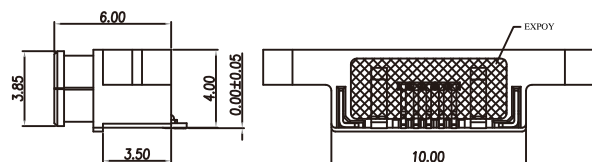
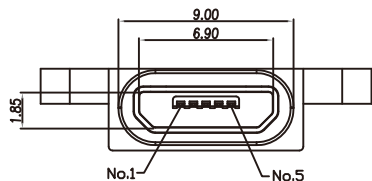
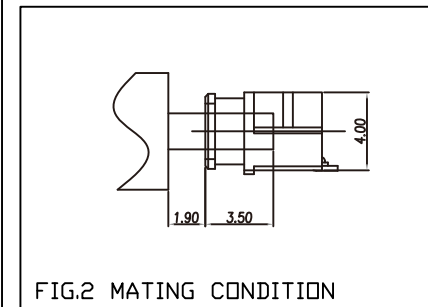
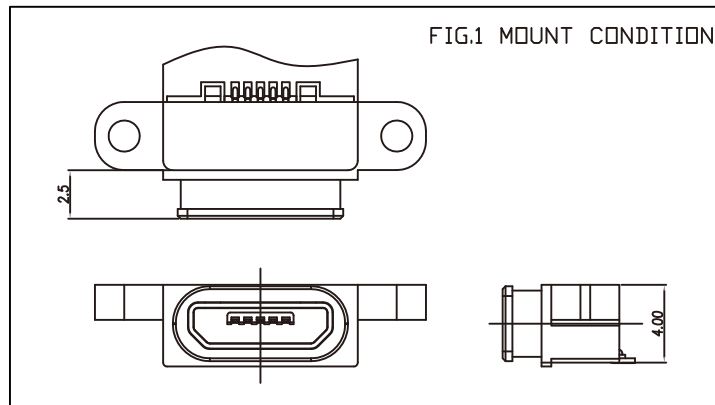
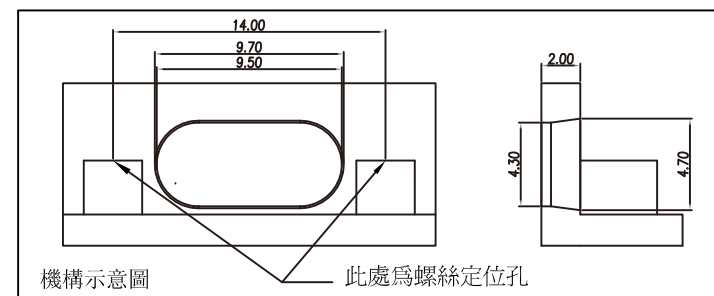


P.C.B LAYOUT



1. MATERIAL :
 - 1-1. HOUSING : LCP UL94V-0 ; COLOR : BLACK
 - 1-2. CONTACT : PHOSPHOR BRONZE
 - 1-3. SHELL : STAINLESS STEEL
 - 1-4. O-RING : SILICON
 - 1-5. PAD : BRASS
2. FINISH :
 - 2-1. CONTACT : CONTACT AREA : GOLD 10 μ "
GOLD FLASH ON OTHER AREA
UNDERPLATED : NICKEL 50 μ "
 - 2-2. SHELL : MATTE TIN PLATED
 - 2-3. PAD : MATTE TIN PLATED



RoHS Compliant

TOLERANCES ARE

MORETHANALL
PCB CONNECTORS
Cable ASSEMBLIES

DRAWING BY CY

CHECKED BY GENIUS

UNIT / mm

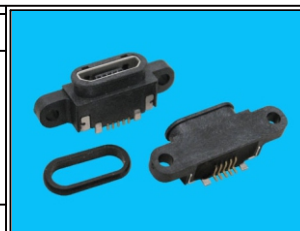
SCALE 1 : 1

DATE

SIZE A4

PJECTION

X, \pm
.X \pm 0.20
.XX \pm 0.10
.XXX \pm 0.05
ANG \pm 1°



ORDER INFORMATION

WPMIB-SWE-5B-LF
SERIES | LEADFREE
5 PIN B TYPE
EAR
90°SMT
FEMALE

DESCRIPTION: waterproof micro usb 5P(F) SMT

煜倫股份有限公司

www.morethanall.com