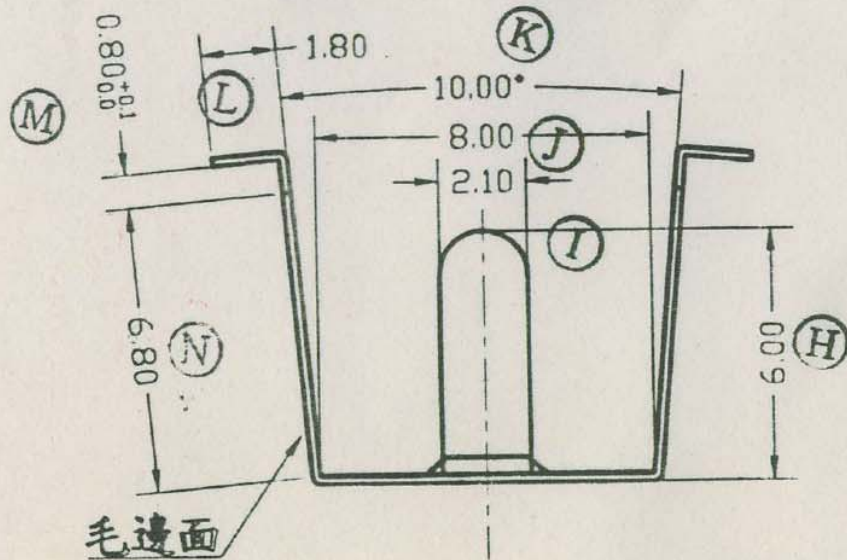


SEC A-A



CLASS	A	B	C	D
8 以下	0.03	0.05	0.10	0.15
8~25	0.05	0.07	0.20	0.30
25~80	0.08	0.10	0.30	0.40
80~250	0.10	0.20	0.40	0.50
250 以上	0.20	0.30	0.50	0.60
未注尺寸公差				
未注孔径公差	+0.1			
未注角度公差	±1.0°			

RoHS Compliant

TOLERANCES ARE

MORETHANALL
PCB CONNECTORS
Cable ASSEMBLIES

煜倫股份有限公司

www.morethanall.com

DRAWING BY CY

CHECKED BY GENIUS

UNIT/mm SCALE 1:1

DATE

SIZE A4

X.±
.X±
.XX±
.XXX±
ANG±

PJECTION



ORDER INFORMATION

BTH-W78-LR41-LF

SERIES | LEADFREE
LR41 BATTERY
HIGH 7.8mm
90°SMT

DESCRIPTION: