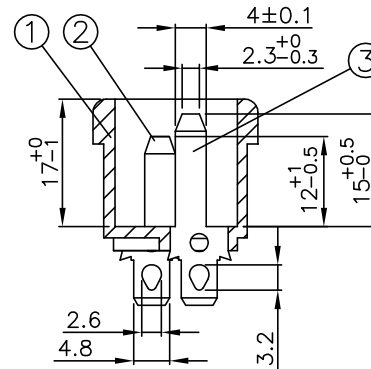
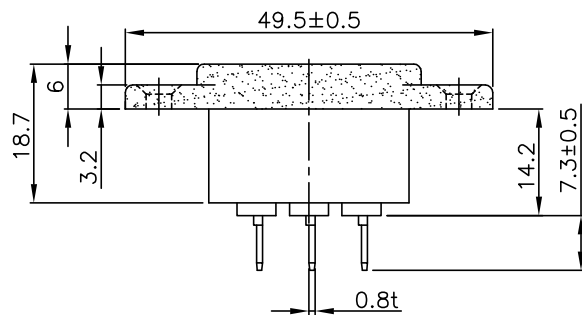
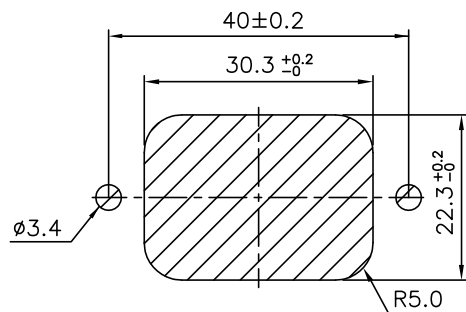


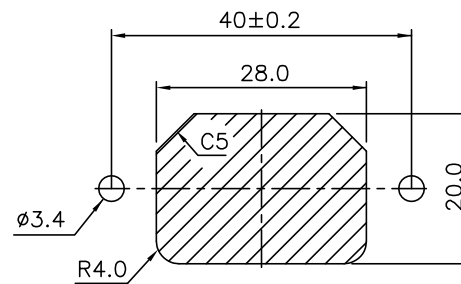
Rating: 15A 250V AC
 Approvals:UL/CSA
 Rating: 10A 250V AC
 Approvals:VDE/SEMKO/CCC



3	Soldering PIN Brass Strip t=2mm	1
2	Contact PIN Brass Strip t=2mm	2
1	Body Insulator PBT Black Color	1



Mounting inlet flange at back of cover.



Mounting inlet flange in front of cover.

RoHS Compliant

TOLERANCES ARE

MORETHANALL
 PCB CONNECTORS
 Cable ASSEMBLIES
 焯倫股份有限公司

DRAWING BY CY

X. ± 0.40

CHECKED BY GENIUS

.X ± 0.30

UNIT / mm

SCALE 1 : 1

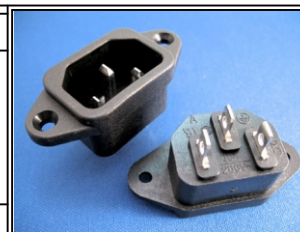
.XXX ±

DATE

ANG ± 1°

SIZE A4

PJECTION



ORDER INFORMATION

ACF-PQ4PE-03-LF
 SERIES | | | | LEADFREE
 | | | | 03 WAY
 | | | | EAR
 | | | | PANEL
 | | | | 4.8mmTAB
 | | | | MALE

DESCRIPTION:

www.morethanall.com