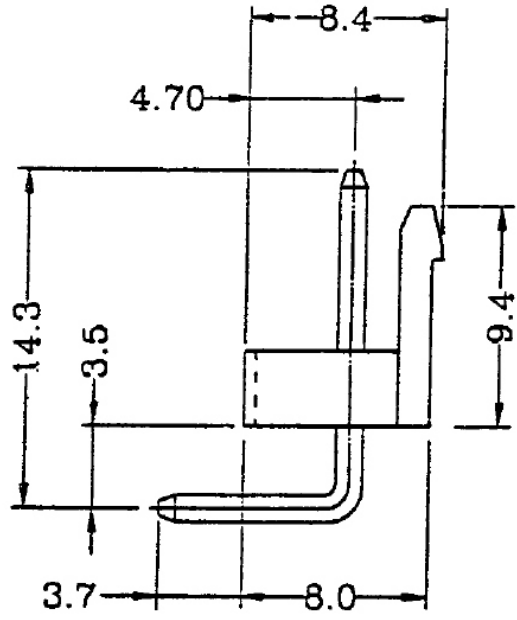
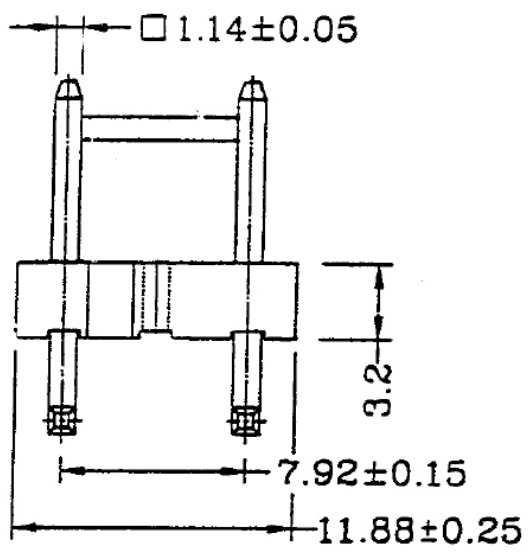


Material: Insulator: Nylon 66 UL 94V-0  
 Contact: 1.14mm Tin Plated Square Pin  
 D: Void 2nd Pin  
 Unit quantity: 1000 Pcs/Bag



VA-R-02-LF  
 LEADFREE  
 RoHS Compliant

**M** MORETHANALL  
 CONNECTORS  
 ASSEMBLIES

PART NO. VA-R-02		CHECKED BY CY		TOLERANCES ARE .X ± 0.2 .XX ± .XXX ± AWG	DESCRIP TION:	AREA	REVISIONS	HK	DATE
DWG NO. VA-R-02		DRAWING BY							
FILE NO.		PROJECTION							
UNIT / mm	SCALE 1:1								

煜倫股份有限公司