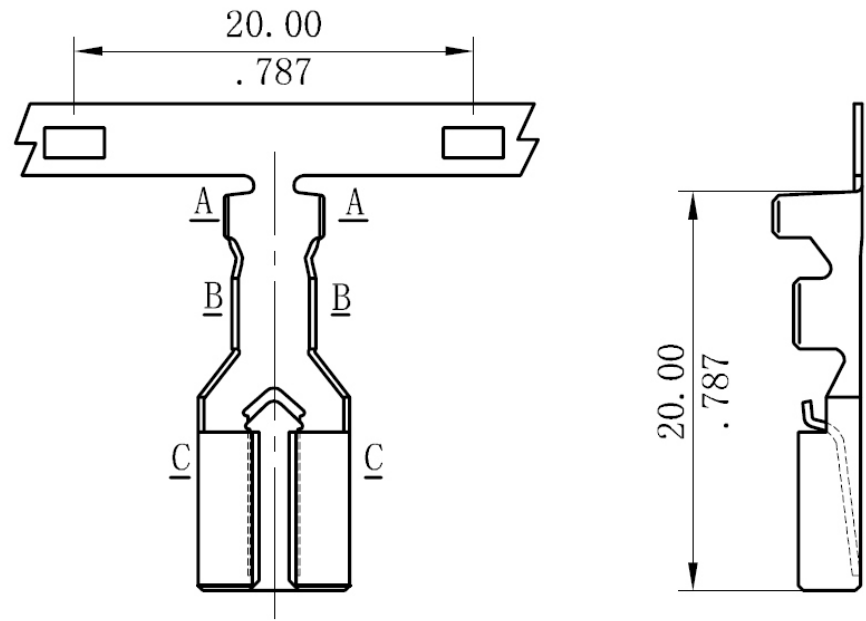


1 2 3 4 5 6 7 8 9 0

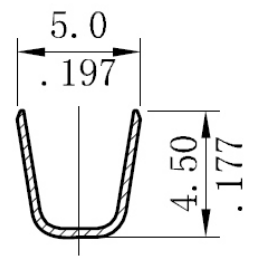
J
I
H
G
F
E
D
C
B
A



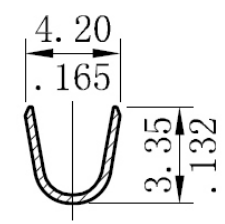
Terminal:
Accommodate wire range AWG14~
Material: Phosphor bronze
Plating : Tin plated

RST50-FRT-14-LF
LEADFREE

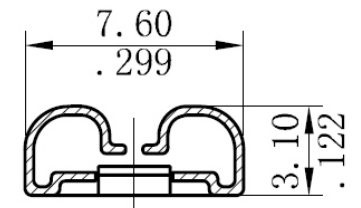
RoHS Compliant



SECTION A-A



SECTION B-B



SECTION C-C



PART NO. RST50-FT-14

DWG NO. RST50-FT-14

CHECKED BY CY

DRAWING BY

TOLERANCES ARE

.X ± 0.2
.XX ± 0.1

.XXX ±
AWG

DESCRIPTION:

煜倫股份有限公司

UNIT / mm

SCALE 1:1

PROJECTION

AREA

REVISIONS

HK

DATE